

Making your life more comfortable



Instantaneous Gas Water Heater

ADVANCE

The smallest in the market

SMALLER - 44 %

**COMPARED TO 5 LIT./MIN
COMPETITOR'S MODELS**



COINTRA



450/550mm
(5L/10L)

129/181mm
(5L/10L)

280/328mm
(5L/10L)

SMALLER - 44 %

**COMPARED TO 5 LIT./MIN
COMPETITOR'S MODELS**

*The range of Gas Water Heater **ADVANCE** by Cointra, has been developed to offer awesome advantages to the end-user: great energy savings due to the **absence of pilot flame** in the entire range of instantaneous gas water heaters **ADVANCE** (1 tank of butane every month and a half), and extremely **small dimensions** (44% smaller compared to 5 lit./min competitor models), being therefore possible to be installed in narrow places and ideal for small kitchens.*

Instantaneous Gas Water Heater

ADVANCE

The smallest in the market

► **MAXIMUM SIZE REDUCTION**

With a squeezed (129 mm and 181 mm for 5 and 10 l./min. models respectively), the small dimension of the models **ADVANCE** (44% and 16% smaller than models of competitors with same capacities) are the smallest that can be found in the market. The perfect choice when space available for installation is a concern.



► **ENERGY SAVING**

The **ADVANCE** range of heaters has been designed considering the maximum energy savings. In addition to the fact of non having pilot flame, the models include all the needed features to achieve the maximum efficiency:

- Battery powered electronic ignition
- Flow rate selector
- Adjustable power output (from 50% to 100%)

**NO PILOT
ENERGY SAVING**

► **COMPLETELY SAFE**

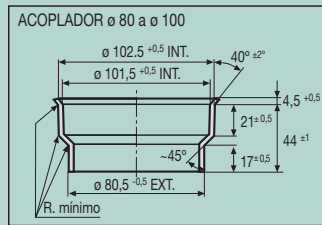
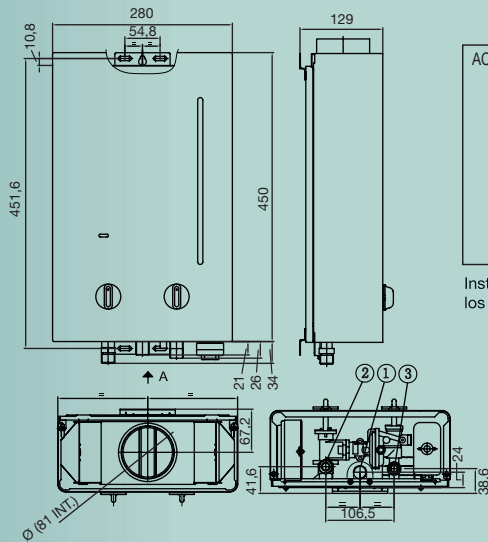
The **ADVANCE** range incorporates the most effective safety measures:

- Ionization flame control.
- TTB Control device for evacuation of gases (not applicable to outdoor installation models).
- Heat exchanger protected by anti-overheating device
- Anti-freezing protection: **ADVANCE** models are equipped with hydraulic draining valve easy to access. This way the water circuit can be emptied if freezing conditions are expected, thereby protecting the equipment and avoiding the related damages.

**TOTAL
SECURITY**

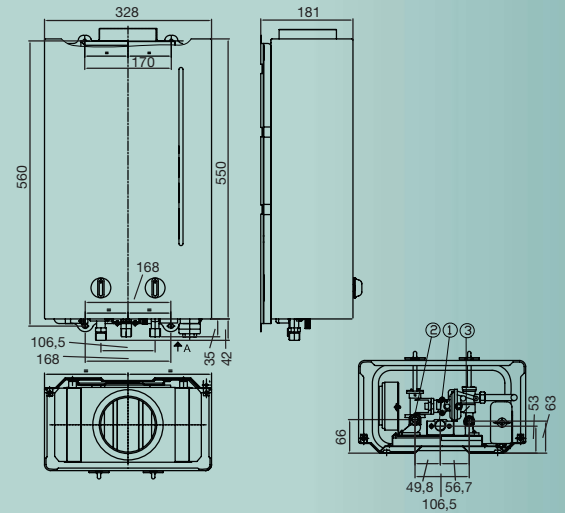
INSTALLATION TECHNICAL DATA

Models of 5 lit./min



Instalar sólo en conductos de evacuación de los productos de la combustión de Ø 100.

Models of 10 lit./min



- 1 = Outlet hot water: R 1/2"
- 3 = Inlet cold water: R 1/2"
- 2 = Inlet butane/propane gas: Ø 12 mm ext.
Inlet natural gas: Ø 15 mm ext.

Equipped by flexible connections for easy installation

CHARACTERISTICS

MODEL	RATED POWER kW	WATER FLOW AND TEMPERATURE		MIN. WATER PRESSURE FOR TEMPERATURE		GAS CONSUMPTION (1013 mbar/288°K)		TYPE OF INSTALLATION	PASSWORD OF HOMOLOGATION
		lit./min		bar		BUTANE G-30 PROPANE G-31 (Kg/h)	NATURAL G-20 (m³/h)		
		40° C	65° C	40° C	65° C				
CMB-5	8,9	5,1	2,6	0,5	0,2	0,79	1,07	interior	0461BT0927
CMB-5 E	8,9	5,1	2,6	0,5	0,2	0,79	1,07	exterior	0461BT0927
EB-10	17,8	10,1	5,1	0,5	0,2	1,58	2,14	interior	0461BT0927
EB-10 E	17,8	10,1	5,1	0,5	0,2	1,58	2,14	exterior	0461BT0927