

L10 Liter Outdoor Tankless Water Heater



EcoTemp Systems, LLC

Volume EU1, Issue 1

THE FUTURE OF EFFICIENCY

10 LITER OUTDOOR MOUNT LIQUID PROPANE WATER HEATER

Table of Contents

Use and Care Introduction	3
WARNINGS	4
The Purpose and Benefits of the L10	7
Functions and Features	8
Getting Started	10
Installation/Use	12
Adjustment.....	14
Troubleshooting.....	16
Additional Products	20

**This water heater complies with Gas Appliance Directive
2009/142/EC (ex-90/396/EEC)**

The purpose of this manual is twofold; one, to provide the installer with the basic directions and recommendations for the proper installation and adjustment of the water heater, and two, to the owner operator, to explain the features, operation, safety precautions, maintenance and troubleshooting of the water heater. This manual also includes a parts list.

It is imperative that all persons who are expected to install, operate, or adjust this water heater read the instructions carefully so they may understand how to perform these functions. If you do not understand these instructions or any terms within, seek professional advice.

Any questions regarding the operation, maintenance service or warranty of this water heater should be directed to Eccotemp Systems, LLC or one of its International Distributors directly.

North America: Eccotemp Systems, LLC, 866.356.1992 Toll Free or support@eccotemp.com

UK: Abbas Cabins, LTD, +44 01202 5900008, abbascabins@eccotemp.com

Netherlands/Germany: KIIP, +0031 229582915, kiip@eccotemp.com

Do not destroy this manual. Please read carefully and keep in a safe place for future reference.



California Proposition 65 Warning: This product contains chemicals known to the State of California to cause cancer, birth defects, or other reproduction harm.

WARNING: If the information in these instructions is not followed exactly, a fire or explosion may result causing property damage, personal injury or death.

IMPORTANT SAFETY INFORMATION. READ ALL INSTRUCTIONS BEFORE USING.

Be sure to read and understand the entire Use and Care Manual before attempting to install or operate this water heater. It may save you time and money. Pay particular attention to the Safety Instructions. Failure to follow these warnings could result in serious bodily injury or death. Should you have problems understanding the instructions in this manual, or have any questions, STOP, and get help from a qualified service technician, or the local gas utility.



⚠ DANGER!

INSTALL AND PROPERLY VENT THE WATER HEATER...



Failure to properly install the water heater outdoors as outlined in the Installation Instructions in this manual can result in unsafe operation of the water heater. To avoid the risk of fire, explosion, or asphyxiation from carbon monoxide, never operate this water heater unless it is installed properly and has an adequate air supply for proper operation. Be sure to inspect the flue terminal for proper installation at initial start-up; and at least annually thereafter. Refer to the Care and Cleaning section of this manual for more information regarding flue terminal inspection.



⚠ WARNING!

Gasoline, as well as other flammable materials and liquids (adhesives, solvents, paint thinners etc.), and the vapors they produce are extremely dangerous. DO NOT handle, use or store gasoline or other flammable or combustible materials any where near or in the vicinity of a water heater or any other appliance. Be sure to read and follow the labels on the water heater, as well as the warnings printed in this manual. Failure to do so can result in property damage, bodily injury or death.

⚠ DANGER



Flammable Vapors

<p>⚠ Vapors from flammable liquids will explode and catch fire causing death or severe burns.</p> <p>Do not use or store flammable products such as gasoline, solvents or adhesives in the same room or area near the water heater.</p> <p>Keep flammable products:</p> <ol style="list-style-type: none">1. far away from heater,2. in approved containers,3. tightly closed and4. out of children's reach.	<p>Water heater has a main burner flame.</p> <p>The main burner flame:</p> <ol style="list-style-type: none">1. which can come on at any time and2. will ignite flammable vapors. <p>Vapors:</p> <ol style="list-style-type: none">1. cannot be seen,2. are heavier than air,3. go a long way on the floor and4. can be carried from other rooms to the main burner flame by air currents.
---	--

Installation:

Do not install water heater where flammable products will be stored or used unless the main burner flame is at least	18" above the floor. This will reduce, but not eliminate, the risk of vapors being ignited by the main burner flame.
--	--

Read and follow water heater warnings and instructions. If owners manual is missing, contact the retailer or manufacturer.

DANGER!

NATURAL GAS AND LIQUIFIED PRETROLEUM MODELS

Both LP and natural gas have an odorant added to aid in the detecting a gas leak. Some people may not physically be able to smell or recognize this odorant. If you are unsure or unfamiliar with the smell of LP or NG, ask the gas supplier. Other conditions such as “odorant fade”, which causes the odorant to diminish in intensity, can also hide or camouflage a gas leak.

- Water heaters utilizing LP gas are different from natural gas models. A natural gas water heater will not function safely on LP gas and vice versa

- No attempt should ever be made to convert the water heater from NG to LP gas. To avoid possible equipment damage, personal injury, or fire, do not connect the water heater to a fuel type not in accordance with the data plate.

- LP gas must be used with great caution. It is heavier than air and will collect first in lower areas making it hard to detect at nose level.

- Before attempting to light the water heater, make sure to look and smell for gas leaks. Use a soapy solution to check all gas fittings and connections. Bubbling at a connection indicates a leak that must be corrected. When smelling to detect a gas leak, be sure to sniff near the floor also.

- Gas detectors are recommended in LP and NG applications and their installation should be in accordance with the detector manufacturer’s recommendations and/or local laws, rules, regulations or customs.

ADDITIONAL WARNINGS

- 1. Do not leave unattended**
- 2. The exhaust gas and top of the unit is HOT! Do not place hands or any foreign object near the top of the heater.**
- 3. Do not use in high wind conditions**
- 4. If the smell of gas is detected, turn off the gas valve at the tank immediately! Do not use flame for leak detection.**
- 5. Use only Liquid Propane**
- 6. Use only outdoors**
- 7. Do not over tighten the gas regulator connection to the unit with a wrench. This may cause a crack in the gas regulator.**

The Purpose and Benefits the L10

The EccoTemp L-10 is a liquid propane fired water heater capable of delivering 2 to 2.65 gallons (up to 10 liters) of hot water almost anywhere. The unit has standard 1/2"NPT (BSP for European models) pipe fittings and an adapter for using a standard garden hose for inlet water supply (North American models).

The L10 is not a toy. People around the world use similar units to heat the water in their homes, safely, and reliably.

Gas is supplied from a standard propane cylinder (not included) such as used with outdoor grills. A regulator with hose is furnished with the heater.

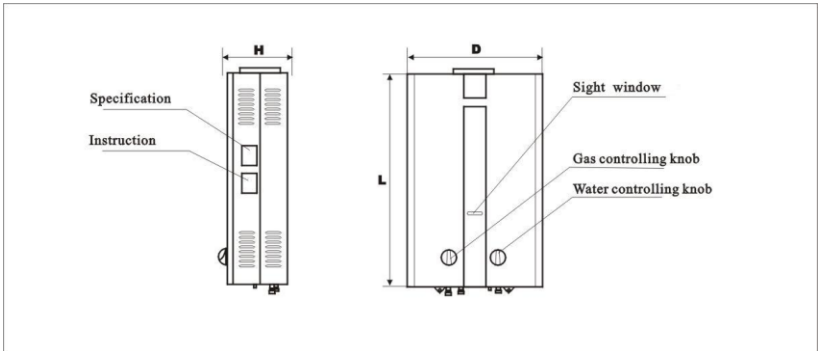
You may also plumb it in to existing water lines and using a low pressure LP gas regulator. Check local codes for proper installation.

The unit includes a stainless steel rain cap that is to help venting of the flue gases as well as protect it for outdoor usage.

Ignition is automatic and powered by 2 "D" cell batteries (not included). Burners come on when water flows, and off when the water is shut off. No pilot light!

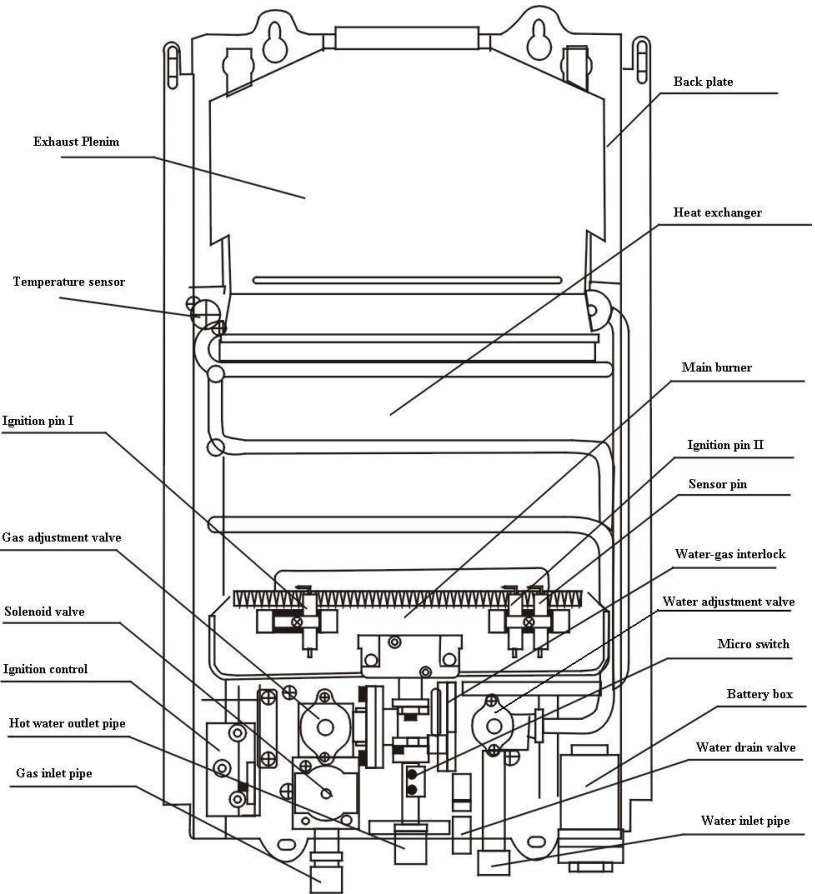
Functions and Features

- Water controlled automatic ignition: Water pressure between 20-80 PSI /1.38-5.5 bar opens the ignition circuit for easy and convenient operation
- Auto-cut-off protection: The auto-cut-off protection will shut the gas supply off immediately in the event of flameout to reduce the risk of gas leakage. There is also an automatic shut-off timer after 20 minutes of continuous use (North American models only)
- Energy savings: EF of 85%
- Removable drain valve to avoid water pipe and regulator damage caused by freezing water*
- Anti-dry combustion protection: The unit will shut off the gas supply in the event water stops flowing through the unit



***Read the maintenance section on draining the unit entirely to avoid freeze issues.**

Construction and Name of Parts for the L10 Flue Duct System



Getting Started

1. Check box for damage. Damages caused in shipment must be reported immediately.
2. Make sure you have all the parts:
 - a. Water heater
 - b. LP gas regulator and hose
 - c. Rain cap
 - d. ½” NPT to garden hose adapter (North American models)
 - e. Hardware pack
3. Install the rain cap to the top of the flue vent. The rain cap should fit securely. It is recommended that a beaded layer of high temperature sealant is used around the perimeter of the seal between the rain cap and the flue vent.
4. If using a standard garden hose, attach the ½” NPT to garden hose adapter to the fitting marked with the blue arrow (far right connection) on North American models only. For European models, attached your water source hose to the far right connection. Use “Teflon” tape or other approved sealing method on the threads for a secure, water tight fit. Check to make sure the screen inside the water inlet is in place and clean. Then attach your water input/garden hose.
5. Install gas supply line and regulator to the unit. **DO NOT OVER TIGHTEN. OVER TIGHTING MAY CRACK THE GAS REGULATOR CAUSING A GAS LEAK!** Check for

any gas smell before ignition! Make sure it is screwed all the way on. For European models, ensure that the black rubber washer is securely in the gas input connection.

6. Attach your water output apparatus to the fitting marked "Water Outlet". **Do not over tighten!** If installing in an existing water system, connect the hot water line directly to the ½" NPT/BSP fitting.
7. Install two "D" cell batteries in the compartment on the bottom left of the heater. Check that batteries are facing the correct direction.
8. Use the top tab on the unit to suspend from a screw adequate to holding 30 pounds/13 KG. Place at a comfortable height without putting stress on the gas hose. If the unit is to be permanently mounted, use screws to attach the bottom tab firmly.
9. Attach gas regulator with hose to the LP tank. Use hand pressure only on the plastic connector. **LEAVE GAS TANK VALVE IN THE "OFF" POSITION**.

Before going to the USE section:

Check around area for flammables, especially gasoline or other vapors which may ignite. The exhaust and top of the unit will get HOT! Make sure there are no foreign objects around the unit or have fallen into the top.

Use and Starting

- 1. Turn on incoming water supply. Ensure that you have adequate water pressure of between 20-80 PSI /1.38-5.5 bar.**
- 2. Turn your water output device to its “off” position.**
- 3. Turn the gas valve on the cylinder all the way open.**
- 4. IF THE SMELL OF GAS IS DETECTED, TURN OFF THE GAS VALVE IMMEDIATELY!!!!**
- 5. Set the water regulator knob on the face of the unit to its highest setting.**
- 6. Set the gas regulator knob on the face of the unit to its minimum setting.**
- 7. Turn on your water output device to the “on” position and adjust to the desired water flow.**
- 8. There will be a series of audible clicks and the burner will ignite. (Should the burner not ignite after 5 seconds, shut off and go to the “Trouble Shooting” section.**

9. Upon completion of use or storage, open the drain valve (ribbed cylindrical stem next to the water input valve) to ensure draining of water.

10. Turn off your gas supply.

11. **WARNING:** If the outside temperature is around or below freezing (32 degrees F, 0 degrees C), ensure that the drain valve is opened and water drained from the unit after each use to avoid internal damage to the water regulator. You will also need to unhook the outgoing water line to ensure that any water in the heat exchanger is drained. Failure to properly drain your unit will cause water damage which may or may not be repairable. Please check the warranty information found on our website at www.eccotemp.com/freeze for more information on freezing issues.

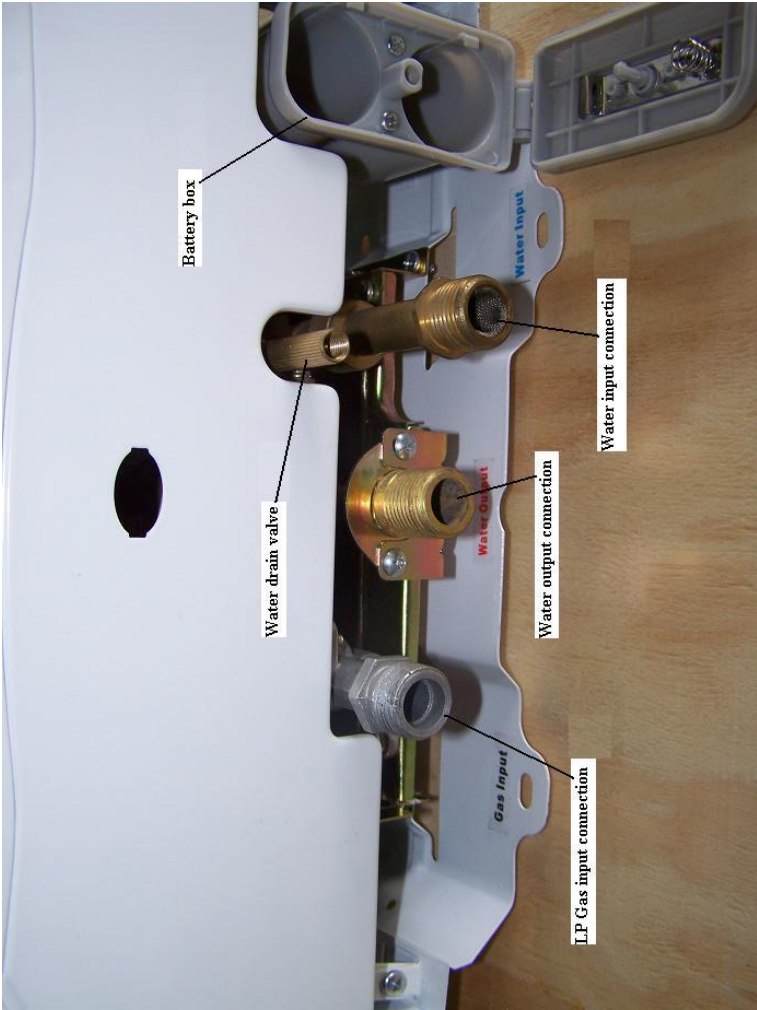
ADJUSTMENT

The temperature of the outgoing water is dependent on the temperature of the incoming water balanced with the amount of heat applied. Use extreme caution in setting the outlet water temperature.

1. **With the water regulator set to high, and the gas regulator set to low, feel the outgoing water. This is the lowest setting available.**
2. **To initially raise the outgoing temperature, slowly turn the gas valve towards maximum. Adjust slowly and check the temperature often. There will be a slight delay between increasing the gas supply and the increase in water temperature.**
3. **Should the outlet water temperature need to be higher, slowly reduce the water flow regulator until desired temperature is reached.**

WARNING:

**THE UNIT IS CAPABLE OF PRODUCING
SCALDING WATER TEMPERATURES!**



DO NOT RETURN TO STORE:

Call Eccotemp or one of its International Distributors directly found on page 1 if you encounter a problem!

TROUBLE SHOOTING

Unit will not start – there are no audible clicks at startup:

a. The first thing to check is to ensure that the incoming water on the "right" side of the unit. If the incoming and outgoing are reversed, the unit will not work. The incoming is on the far right and the outgoing is in the middle.

b. Check to make sure you have fresh batteries and they are installed in the correct position

c. Number one reason that the unit does not ignite is that there is not enough water pressure. You need a minimum of 20 PSI/1.38 bar, sustained. Municipal water should supply enough water pressure. Most 12/18/120/240 pumps well as long as they are capable of delivering pressure of 30 PSI / 2 bar or greater.

ADJUSTMENT: Looking up at the bottom of the unit, you will see two "slits" in the case where the front and back come together. Locate the water regulator where you will see two Philip head screws. Take the screw that is furthest on the right (larger screw) in about a ¼ or ½ turn. This will enable the unit to operate on a lower water pressure by restricting flow.

NOTE: Before attempting to remove the cover, call technical support found on page 1

e. A wire has become disconnected inside the unit during shipping. Make sure the gas is OFF. The front cover is held by six screws, four on top, two on bottom. The knobs pull off. All the wiring is done with push together plastic connectors. They are all visible without further dismantling of the unit. It should be obvious when a wire has become disconnected.

f. It is possible that some debris or epoxy might have entered the water regulator. Check to see if the filter screen on the water inlet is clear of debris. You can also reverse the hookup by taking your water source and hooking it up to the water **outlet** side and back flushing the system.

g. Propane gas cylinders sometimes are contaminated with air, especially new tanks upon their first filling. Cycle the unit on and off by using the shower head switch several times (5) to purge the air from the gas.

Should a unit fail to light or stay lit after 10 cycles, Call technical support found on page 1

Units starts, then shuts off:

a. The unit requires a minimum of about 0.5 gallons per minute (2 liters) and a minimum of about 20 PSI / 1.38 bar* Note, water pressure is at the lower end of operating parameters. You will need a sustained water pressure of approximately 40-60 PSI / 2.7-4.1 bar for adequate use if you are using a 12/18/120/240 volt pump. See ADJUSTMENT in previous section above.

b. High wind

c. Out of, or low on gas. Propane gas cylinders sometimes are contaminated with air, especially new tanks upon their first filling. Cycle the unit on and off by using the shower head switch several times (5) to purge the air from the gas.

If this doesn't clear the air then the tank must be purged.

d. One of the ignition sensors is bent and/or too close to the burner. Look to ensure that the ignition pins and the heat sensor are completely vertical and they do a 90 degree to the back of the box. If they are not straight (i.e. a 45 degree angle) then you can straighten them with pliers.

e. The thermocouple is either too high or too low to complete the circuit. Check to ensure that the thermocouple is flush with the hole in the heat exchanger.

f. The gas sensor wire (looks like a black ground wire on the gas regulator) flange might have come loose or is no longer connected.

g. There is a faulty heat or oxygen sensor. This is usually diagnosed by taking the front case off of the unit and let it run. If it continues to operate, then one of the sensors and/or the wire harness needs to be replaced. This may also be caused by insufficient clearance on the back of the unit where the majority of air intake is.

h. The valve on the propane tank should be all the way "Open".

i.. Fresh batteries are required for ignition spark. Make sure batteries are aligned in the proper polarity (+/-).

The water does not get hot enough:

a. You are operating the unit above 6,000 feet / 1820 meters. While it has been field tested up to 7,200 feet / 2195 meters, we only recommend using it below elevations of 6,000 feet / 1820 meters.

b. Look into the viewer panes (middle horizontal windows on the front cover) to see if there is a blue flame. If the flame is yellow there could be a cracked gas regulator. Do Not Attempt to use the unit and call Eccotemp directly.

Water is flowing, but there is no hot water coming out:

- a. Ensure that you have the incoming water supply and the outgoing water supply hooked up properly. Your water supply should be attached to your incoming connection (located on the far right) and the shower head should be attached to the outgoing water (located as the center connection)

- b. Ensure that you have adequate water pressure of at least 20 PSI / 1.38 bar, sustained.

- c. Ensure that you have adequate gas in your propane bottle and that the LP regulator is threaded all of the way on to the unit.

- d. Fresh batteries are required for ignition spark. Make sure batteries are aligned in the proper polarity (+/-)

If you are still having troubles or are on a modified water system, please call technical support at found on page 1

The unit does nothing:

- a. Ensure that you have your water source hooked up to the water inlet side (far right connection) and the shower handle is hooked up on the water outlet side (far right connection)

- b. Ensure that you have an adequate supply of propane

- c. Ensure that you have fresh batteries

If you are still having troubles or are on a modified water system, please call technical support at found on page 1

Other Products:

L5: The L5 is the smaller sister unit of the L10. This top vented outdoor unit delivers up to 1.4 GPM and temperatures up to 150 degrees F. An ideal choice for portable hot water applications.



40-H: Outdoor mount LP or NG whole house water heater. GAMA rated at 6.3 GPM, it is the ideal choice for a standard 3 bedroom, 2-2.5 bath home. Outdoor mount means no additional vent piping to purchase.



40-HI: Indoor mount LP or NG whole house water heater. The indoor version of the 40-H, it is an ideal choice for a standard 3 bedroom, 2-2.5 bath home. Indoor installation makes it a convenient choice for a retrofit on your old, inefficient storage tank heater.



FV112: Indoor mount LP or NG, this sleek and modern designed water heater is great for one bath homes, cottages, and barns. 120 volt electronic ignition and power vent, it comes with a horizontal vent kit for quick and seamless installation.



Visit us on the web www.eccotemp.com

Call us (866) 356.1992

Fax us at (843) 875.4230

Email us at info@eccotemp.com

International Distributors

United Kingdom:

Abbas Cabins

+44 01202 590008 Phone

+44 01202 331963 Fax

abbascabins@eccotemp.com

Germany/Netherlands:

KIIP

+0031 229582915 Phone

kiip@eccotemp.com

EccoTemp Systems, LLC

315-A Industrial Road
Summerville, SC 29483

Phone (866) 356.1992

www.eccotemp.com

info@eccotemp.com

Chauffe-Eau Sans Réservoir L-10



EccoTemp Systems, LLC

Volume EU1, 1 Publication

LE FUTURE DE L'EFFICACITÉ

CHAUFFE-EAU EXTÉRIEUR DE 10 LITRES AU PROPANE

Table des Matières

Introduction à l'Utilisation et à l'Entretien	3
AVERTISSEMENTS	4
Utilité et Bénéfices du L-10	7
Fonctions et Caractéristiques	8
Démarrage	10
Installation/Utilisation	12
Ajustements.....	14
Résolution des Problèmes.....	16
Produits Additionnels	20

Le but de ce manuel est double; premièrement, de fournir à l'utilisateur les directions et recommandations de bases pour l'installation adéquate et ajustements du chauffe-eau, et deuxièmement, d'expliquer au propriétaire et opérateur, les fonctions, l'opération, précautions de sécurité, entretien et résolution des problèmes du chauffe-eau. Ce manuel contient aussi une liste des pièces.

Il est impératif que toute personne se préparant à installer, faire fonctionner, ou à ajuster ce chauffe-eau lise les instructions attentivement pour qu'elle puisse comprendre comment exécuter ces fonctions. Si vous ne comprenez pas ces instructions ou quelconques termes ci-contre, ayez recours aux conseils d'un professionnel.

Toutes questions concernant l'opération, les services d'entretien ou la garantie de ce chauffe-eau devrait être adressées à Ecotemp Systems, LLC directement en appelant sans-frais au 866.356.1992 ou via courriel au info@ecotemp.com.

Ne pas détruire ce manuel. Veuillez le lire attentivement et le conserver en lieu sûr pour référence future.



Avertissement de Californie, Proposition 65 : Ce produit contient des produits chimiques reconnus par l'État de la Californie comme étant cancérigènes, causant des anomalies et nuisances à la naissance.

AVERTISSEMENT : Si l'information contenue dans ces instructions n'est pas suivie exactement, un feu ou une explosion pourrait en résulter, causant dommages à la propriété, blessures personnelles ou la mort.

IMPORTANTES INFORMATIONS DE SÉCURITÉ.
LIRE TOUTES LES INSTRUCTIONS AVANT D'UTILISER.

Assurez-vous de lire et de comprendre le Manuel d'Utilisation et d'Entretien avant de tenter d'installer et de faire fonctionner ce chauffe-eau. Il pourrait vous sauver argent et temps. Portez une attention particulière aux Instructions de Sécurité. Omettre de suivre ces avertissements pourrait entraîner des blessures sérieuses ou la mort. Si vous avez des problèmes à comprendre les instructions dans ce manuel, ou avez des questions, ARRÊTEZ, et allez chercher de l'aide auprès d'un technicien de service qualifié, ou les services de gaz locaux.

DANGER!
INSTALLER ET VENTILER ADÉQUATEMENT LE CHAUFFE-EAU...

Omettre d'installer le chauffe-eau à l'extérieur comme souligné pourrait entraîner un fonctionnement non sécuritaire du chauffe-eau. Pour éviter les risques de feu, explosion, ou asphyxie du monoxyde de carbone, ne faites jamais fonctionner ce chauffe-eau sauf s'il est installé adéquatement et possède une source d'air approprié pour une utilisation convenable. Soyez certain d'inspecter le conduit terminal pour une installation adéquate au démarrage initial; au moins annuellement par la suite. Référez-vous à la section d'Entretien et Nettoyage de ce manuel pour plus d'information concernant l'inspection du conduit terminal.

ATTENTION!

L'essence, et autres liquides et matériaux inflammables (adhésifs, solvants, diluant à peinture, etc.) et les vapeurs qu'ils produisent sont extrêmement dangereux. NE PAS manipuler, utiliser ou entreposer de l'essence ou autres produits inflammables ou combustibles près ou dans les environs du chauffe-eau ou n'importe quel autre appareil. Soyez certain de lire et de suivre les étiquettes sur le chauffe-eau, ainsi que les avertissements imprimés sur ce manuel. Omettre de faire cela pourrait entraîner des dommages à votre propriété, blessures et mort.

DANGER

Les vapeurs provenant de liquides inflammables exploseront et prendront en feu causant la mort et brûlure sévères. Ne pas utiliser ou entreposer des produits inflammables comme de l'essence, solvants ou adhésifs dans la même pièce ou dans la zone près du chauffe-eau.

Gardez les produits inflammables :

1. loin du chauffe-eau,
2. dans des contenants approuvés,
3. fermé sécuritairement et
4. hors de la portée des enfants.

Le chauffe-eau à une flamme de brûleur principale.

La flamme du brûleur principal :

1. qui peut s'allumer à n'importe quel moment et
2. mettra en feu les vapeurs inflammables.

Vapeurs :

1. ne peuvent pas être vues
2. sont plus lourdes que l'air,
3. se déplace sur de longues distances sur le sol et
4. peuvent être transporté à partir d'autres pièces par des courants d'air

Installation :

Ne pas installer le chauffe-eau où des produits inflammables seront entreposés ou utilisés sauf si la flamme du brûleur principal est au moins 18 pouces (50 cm). Ceci réduira, mais n'éliminera pas les risques que les vapeurs soient mises en feu par la flamme principale du brûleur.

Lire et suivre les avertissements et instructions du chauffe-eau. Si le manuel de l'utilisateur est manquant, contacter le détaillant ou le fabricant.

DANGER!

MODÈLES AU GAZ NATUREL ET PÉTROLE LIQUÉFIÉ

Le pétrole liquéfié et le gaz naturel possèdent tous deux une odeur ajoutée pour aider à la détection d'une fuite de gaz. Certaines personnes ne pourraient pas être en mesure de sentir ou reconnaître cette odeur. Si vous êtes incertains ou peu familiers avec l'odeur du pétrole ou du gaz, demandez au fournisseur de gaz. D'autres conditions comme "l'affaiblissement de l'odeur", qui fait en sorte que l'odeur diminue en intensité, peut aussi cacher ou camoufler une fuite de gaz.

- Les chauffe-eau utilisant des gaz de PL sont différents des modèles à gaz naturels. Un chauffe-eau au gaz naturel ne fonctionnera pas sécuritairement en utilisant du gaz de PL et vice versa
- Aucune tentative ne devrait être faite de convertir le chauffe-eau du gaz naturel ou gaz de PL. Pour éviter des dommages possibles à l'équipement, blessures personnelles, ou un feu, ne connectez pas le chauffe-eau dans un type de carburant non conforme à ses caractéristiques.
- Le gaz à PL doit être utilisé avec beaucoup de prudence. Il est plus lourd que l'air et s'accumulera en premier dans les zones les plus basses, le rendant plus difficile à détecter au niveau du nez.
- Avant de tenter d'allumer le chauffe-eau, assurez-vous de chercher et de sentir pour des fuites de gaz. Utilisez une solution savonneuse pour vérifier toutes les poses et connexions de gaz. La présence de bulles sur une connexion indique une fuite devant être corrigée. Lorsque vous sentez pour détecter une fuite de gaz, assurez-vous aussi de renifler près du sol.
- Les détecteurs de gaz sont recommandés dans un système au gaz naturel ou pétrole liquéfié et leur installation devrait être

conforme aux recommandations du fabricant du détecteur et/ou aux lois locales, règles, réglementations et douanes.

AVERTISSEMENTS ADDITIONNELS

- 8. Ne pas laisser sans surveillance**
- 9. Le gaz d'échappement et dessus de l'unité sont CHAUDS! Ne pas placer les mains ou autre objet sur le dessus du chauffe-eau.**
- 10. Ne pas utiliser dans des conditions de vents forts.**
- 11. Si une senteur de gaz est détectée, fermez la valve du réservoir immédiatement! Ne pas utiliser de flamme pour détecter la fuite.**
- 12. Utiliser du Propane Liquide seulement**
- 13. Utiliser à l'extérieur seulement**
- 14. Ne pas trop resserrer la connexion régulatrice du gaz à l'unité avec une clé. Ceci pourrait causer une fissure dans le régulateur de gaz.**

Utilité et Bénéfices du L-10

L'EccoTemp L-10 est un chauffe-eau propulsé par du propane liquide capable de fournir de 7.5 à 10 gallons (30 à 40 litres) d'eau chaude presque n'importe où. L'unité possède des installations standards de tuyau 1/2"NPT et un adaptateur standard de tuyau d'arrosage pour une entrée d'eau.

Le L-10 n'est pas un jouet. Des gens partout dans le monde utilisent des unités similaires pour chauffer l'eau de leurs maisons, de façon fiable et sécuritaire.

Le gaz est alimenté d'un cylindre de propane standard de 20 livres (non inclus) semblables à ceux utilisés pour les grils extérieurs. Un régulateur avec tuyau d'arrosage est fourni avec le chauffe-eau.

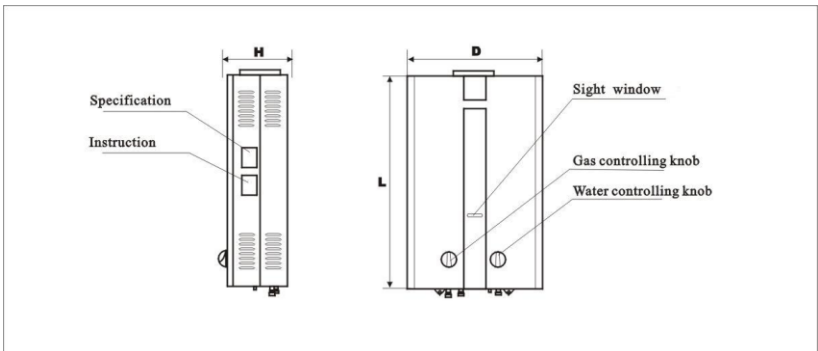
Vous pouvez aussi l'insérer dans la plomberie de lignes d'eau existantes et utiliser un régulateur de gaz LP à basse pression. Vérifiez les codes locaux pour une installation adéquate.

L'unité inclut un capuchon de pluie en acier inoxydable qui sert à aider la ventilation du conduit des gaz et à le protéger pour usage extérieur.

L'allumage est automatique et alimenté par 2 piles « D » (non incluses). Les brûleurs s'allument lorsque l'eau circule, et s'éteint lorsque l'eau est coupée. Pas de veilleuse!

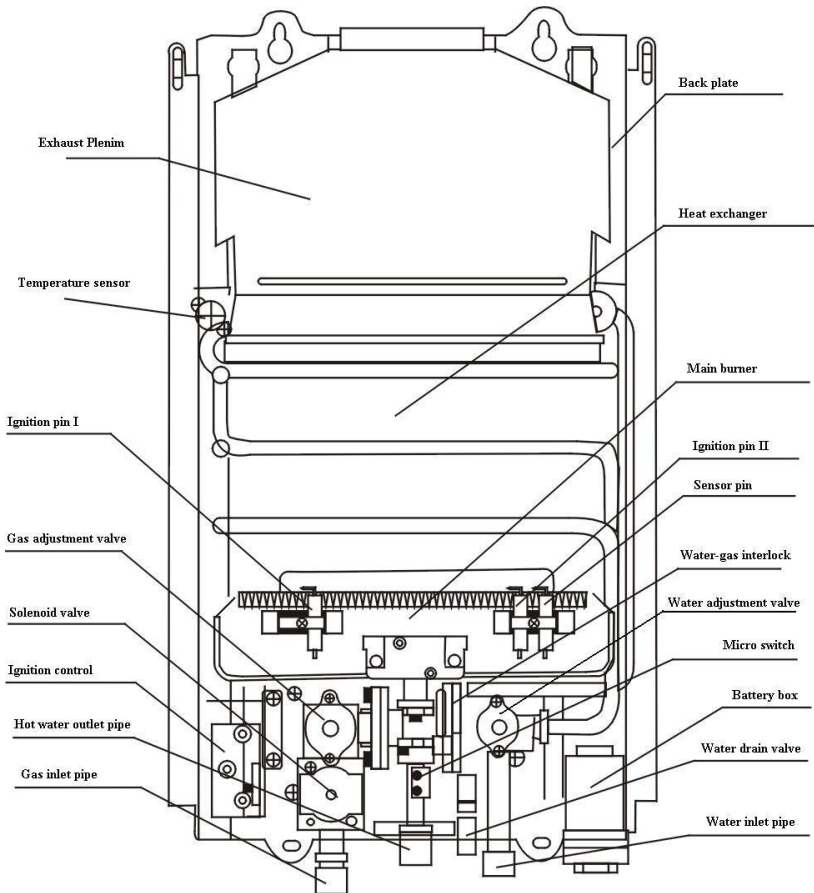
Fonctions et Caractéristiques

- Allumage automatique contrôlé par l'eau : Une pression d'eau entre 20 et 80 livres par pouce carré ouvre le circuit d'allumage pour une opération simple et commode
- Protection Auto-Coupage : La protection auto-coupage coupera l'alimentation de gaz immédiatement dans un cas de « flame-out » pour réduire le risque d'une fuite de gaz. Une minuterie de coupage automatique est aussi présente pour cesser l'alimentation après 20 minutes d'usage continue
- Économies d'énergie : 85 %
- Valve de canalisation extractible pour éviter des dommages aux régulateurs et tuyaux d'eau causés par le gel de l'eau*
- Protection de combustion Anti-Séchage : L'unité fermera l'alimentation de gaz dans le cas où l'eau arrêterait de circuler à travers l'unité



***Lisez la section d'entretien à propos du drainage de l'unité pour éviter tout problème relié au gel.**

Construction et Nom des Parties du Système de Conduits du L10



Démarrage

10. Vérifier la boîte pour tout dommage. Les dommages causés lors de l'expédition doivent être rapportés immédiatement.
11. Assurez-vous que vous avez toutes les parties :
 - a. Chauffe-eau
 - b. Régulateur et tuyau de gaz au LP
 - c. Capuchon de pluie
 - d. Adaptateur de 1/2"NPT en tuyau d'arrosage
 - e. Paquet de matériel/quincaillerie
12. Installer le capuchon de pluie sur le dessus du conduit d'aération. Le capuchon de pluie devrait tenir sécuritairement. Il est recommandé qu'une mince couche de scellant de haute température soit appliquée autour du périmètre du bouchon entre le capuchon de pluie et le conduit d'aération.
13. Si vous utilisez un tuyau d'arrosage standard, attachez l'adaptateur de 1/2"NPT en tuyau d'arrosage à la pose marqué « Entrée d'Eau ». Utilisez un ruban de « Teflon » ou autre méthode approuvée de scellage sur les fils pour un résultat serré et sécuritaire. Vérifiez pour vous assurer que l'écran à l'intérieur du tuyau d'eau est propre et en place. Attachez ensuite votre entrée d'eau/tuyau d'arrosage.
14. Installez les lignes d'alimentation et le régulateur de gaz à l'unité. **NE PAS TROP SERRER. TROP SERRER POURRAIT FAIRE CRAQUER LE RÉGULATEUR DE**

GAZ ET CAUSER UNE FUITE DE GAZ! Vérifier pour une fuite de gaz avant l'allumage! S'assurer qu'il est correctement vissé jusqu'au bout.

15. Attachez le dispositif de la sortie d'eau sur la pose marquée « Sortie d'Eau ». Ne pas trop serrer! Si vous faites l'installation sur un système d'eau déjà existant, connectez la ligne d'eau chaude directement sur la pose 1/2" NPT.

16. Installer deux piles « D » dans le compartiment situé en bas à gauche du chauffe-eau. Vérifiez que les piles sont dans la bonne direction.

17. Utiliser l'attache du haut sur l'unité pour suspendre à partir d'une visse pouvant soutenir 30 livres. Placer à une hauteur confortable sans mettre de la pression sur le tuyau de gaz. Si l'unité est montée de façon permanente, utiliser les visses pour fixer l'attache du bas fermement.

18. Attacher le régulateur de gaz avec tuyau au réservoir de PL. Utiliser seulement de la pression manuelle sur le connecteur de plastique. **LAISSER LA VALVE DU RÉSERVOIR DE GAZ DANS LA POSITION FERMÉE "OFF".**

Avant de vous rendre à la section UTILISATION :

vérifier aux alentours pour des éléments inflammables, particulièrement l'essence ou autres vapeurs pouvant prendre feu. L'échappement et le dessus de l'unité deviendront CHAUDS! Assurez-vous qu'il n'y a pas d'objets autour de l'unité et qui pourraient être tombés sur le dessus.

Utilisation et Démarrage

12. **Activez l'alimentation en eau. Assurez-vous que vous avez une pression d'eau adéquate entre 40-50 livres par pouce carré.**
13. **Mettez l'appareil de sortie d'eau en position fermée « off ».**
14. **Ouvrir la valve de gaz sur le cylindre jusqu'au bout.**
15. **SI UNE ODEUR DE GAZ EST DÉTECTÉE, FERMEZ LA VALVE DE GAZ IMMÉDIATEMENT!!!!**
16. **Régler le bouton du régulateur d'eau situé sur le devant de l'unité à son plus haut réglage.**
17. **Régler le bouton de régulateur de gaz situé sur le devant à son réglage minimum.**
18. **Activer l'appareil de sortie d'eau à sa position allumée « on » et ajuster au débit d'eau désiré.**

19. Il y aura une série de « cliques » audibles et le brûleur s'allumera. (Dans le cas où le brûleur ne s'allumerait pas après 5 secondes, fermez-le et rendez-vous à la section Résolution des Problèmes).

20. Après avoir terminé l'usage ou l'entreposage, ouvrir la valve de drainage (le tuyau cylindrique à côté de la valve d'entrée d'eau) pour assurer le drainage de l'eau.

21. **AVERTISSEMENT :** Si la température extérieure est autour ou sous la température de gel (32 degrés Fahrenheit, 0 degré Celsius), s'assurez que la valve de drainage est ouverte et que l'eau est drainée de l'unité après chaque usage pour éviter des dommages internes au régulateur d'eau. Vous aurez aussi besoin de détacher la ligne d'eau sortante pour vous assurer que toute l'eau de l'échangeur de chaleur est drainée. Un mauvais drainage de l'unité pourrait causer des dommages d'eau qui pourraient être réparables ou non. Veuillez vérifier les informations concernant la garantie que vous pourrez trouver sur notre site web au www.eccotemp.com/freeze.htm ou vous trouverez plus de renseignements sur les problèmes reliés au gel.

AJUSTEMENTS

La température de l'eau sortante est indépendante de la température de l'eau entrante balancée avec la quantité de chaleur appliquée. Soyez extrêmement prudent en réglant la température de l'eau d'échappement.

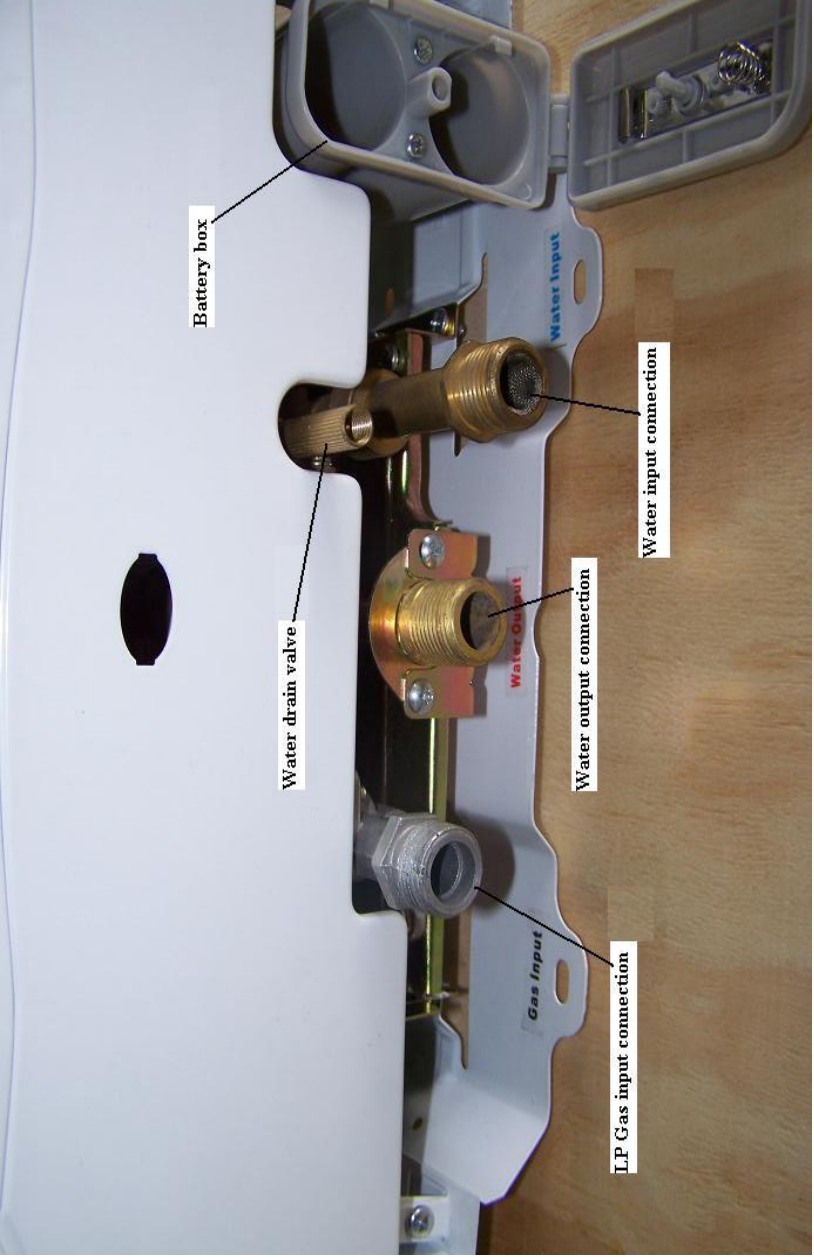
4. **En réglant le régulateur d'eau à « high », et le régulateur d'eau à « low », ressentez l'eau sortante. Ceci est le plus bas réglage disponible.**

5. **Initialement, pour monter la température sortante, tourner lentement la valve de gaz vers le maximum. Ajustez lentement et vérifiez la température souvent. Il y aura un léger délai entre l'augmentation de l'alimentation de gaz et l'augmentation de la température de l'eau.**

6. **Si la température de l'eau d'échappement a besoin d'être plus haute, réduire lentement le débit d'eau du régulateur jusqu'à obtention de la température désirée.**

AVERTISSEMENT :

**L'UNITÉ PRODUIRA DES TEMPÉRATURES
POUVANT CAUSER DES BRÛLURES!**



Battery box

Water drain valve

Water input connection

Water output connection

LP Gas input connection

**NE PAS RETOURNER AU
MAGASIN:** Appeler Eccotemp sans frais
au 866.356.1992 ou via courriel au
info@eccotemp.com si vous rencontrez un
problème!

RÉSOLUTION DES PROBLÈMES

L'unité ne démarre pas - il n'y a pas de « clique » audible au démarrage :

- a. La première vérification à faire est de s'assurer que l'eau entrante est bien du côté « droit » de l'unité. Si les entrées et sorties sont inversées, l'unité ne fonctionnera pas. L'entrée est à droite et la sortie est au milieu.
- b. Vérifier les piles pour s'assurer qu'elles sont fraîches et qu'elles sont installées dans la bonne position.
- c. La raison numéro un pour laquelle l'unité ne s'allume pas est un manque de pression d'eau. Vous avez besoin d'un minimum de 20 livres par pouce carré constamment soutenu. L'eau municipale devrait fournir suffisamment de pression d'eau. La plupart des pompes 12/18/120 fonctionnent pourvu qu'elles soient capables de fournir une pression de 30 livres par pouce carré ou plus.

AJUSTEMENTS : En regardant par le bas vers le haut de l'unité, vous verrez deux « fentes » dans le boîtier où le devant et l'arrière se relient ensemble. Localisez le régulateur d'eau où vous verrez deux vis. Prenez la vis qui est le plus loin vers la droite (la plus

grosse vis) en exécutant un tour environ 1/4 tour ou 1/2 tour. Ceci permettra à l'unité d'opérer sur une pression d'eau plus basse en rendant le débit plus restreint.

NOTE : Avant de tenter d'enlever le couvercle, appelez le soutien technique au 866.356.1992

e. Un fil a été déconnecté à l'intérieur de l'unité durant l'expédition. Assurez-vous que le gaz est fermé à OFF. Le couvercle du devant est tenu par six vis, quatre sur le dessus et deux sur le bas. Les boutons s'enlèvent. Tout le câblage est fait avec des connecteurs de plastiques se poussant ensemble. Ils sont tous visibles sans avoir à démonter l'unité. Il devrait être évident lorsqu'un fil se déconnecte.

f. Il est possible que des saletés ou de l'époxy se soient infiltrés dans le régulateur d'eau. Vérifiez pour voir si le filtre sur l'entrée d'eau est bien libre de déchets. Vous pouvez aussi renverser la connexion électrique et faire le branchement sur le côté de l'échappement d'eau et procéder au nettoyage du système.

g. Les cylindres de gaz propane sont parfois contaminés par l'air, spécialement les nouveaux réservoirs lors de leur premier remplissage. Faire un cycle d'allumage et d'arrêt en utilisant le bouton de la pomme de douche plusieurs fois (5) pour épurer l'air du gaz.

Si une unité n'est pas en mesure de s'allumer et ou de rester allumée après 10 cycles. Appelez le soutien technique au 808.217.3123 ou au 866.356.1992.

L'unité s'allume, puis s'éteint immédiatement :

a. L'unité nécessite un minimum d'environ 0.5 gallon par minute (2 litres) et un minimum d'environ 25 LPP* Notez que la pression d'eau est au bas des paramètres d'opération. Vous aurez besoin d'une pression d'eau soutenue d'approximativement 40-60 LPP pour un usage adéquat si vous utilisez une pompe de 12/18/120 volts. Voir AJUSTEMENTS dans la section précédente située ci-dessus.

b. Forts Vents

c. Les cylindres de gaz propane sont parfois contaminés par l'air, spécialement les nouveaux réservoirs lors de leur premier remplissage. Faire un cycle d'allumage et d'arrêt en utilisant le bouton de la pomme de douche plusieurs fois (5) pour épurer l'air du gaz.

Si cela ne libère pas l'air, le réservoir devra être épuré.

d. Un des senseurs d'allumage est plié et/ou trop près du brûleur. Regarder pour s'assurer que les leviers d'allumage et que le senseur de chaleur sont complètement à la vertical et qu'ils forment un angle de 90 degrés à l'arrière du boîtier. S'ils ne sont pas droits (ex. un angle de 45 degrés) vous pouvez les redresser avec des pinces.

e. Le thermocouple est soit trop élevé ou trop bas pour compléter le « circuit ». Vérifier pour vous assurer que le thermocouple est juste avec le trou de l'échangeur de chaleur.

f. Le flanc du fil du senseur de gaz (ressemble à un câble noir sur le régulateur de gaz) peut s'être desserré et s'être déconnecté.

g. Il y a un senseur d'oxygène ou de chaleur défectueux. Ceci est habituellement diagnostiqué en enlevant le devant du boîtier de l'unité et en le laissant fonctionner. S'il continue de fonctionner, cela signifie qu'un des senseurs et/ou le harnais du fil a besoin d'être remplacé. Ceci peut aussi être causé par une libération insuffisante sur le derrière de l'unité où la majorité de l'entrée d'air se trouve.

h. La valve sur le réservoir de propane devrait être à « Open » jusqu'au bout.

i. Des piles fraîches sont nécessaires pour l'étincelle d'allumage. Assurez-vous que les piles sont alignées avec la bonne polarité (+/-).

L'eau ne devient pas assez chaude :

- a. Vous faites fonctionner l'unité à plus de 6000 pieds (1800 mètres). Même s'il a été testé jusqu'à 7200 pieds (2000 mètres), nous recommandons de seulement l'utiliser sur des élévations de moins de 5500 à 6000 pieds. (environ 1800 mètres).
- b. Regardez dans les vitres (fenêtres horizontales au milieu du couvert du devant) pour voir s'il y a une flamme bleue. Si la flamme est jaune, il pourrait y avoir un régulateur de gaz fissuré. Ne Tentez Pas d'utiliser l'unité et appelez Eccotemp directement.

L'eau circule, mais il n'y pas d'eau chaude qui sort:

- a. Assurez-vous que l'alimentation d'eau entrante et l'alimentation d'eau sortante sont bien branchées. Votre alimentation d'eau devrait être attachée à votre connexion entrante (localisée complètement à droite) et la pomme de douche devrait être attachée à l'eau sortante (localisée sur la connexion du centre)
- b. Assurez-vous que vous avez une pression d'eau adéquate soutenue d'au moins 20 LPP.
- c. Assurez-vous que vous avez du gaz dans votre bouteille de propane et que le régulateur de PL est introduit jusqu'au bout sur l'unité.
- d. Des piles fraîches sont nécessaires pour l'étincelle d'allumage. Assurez-vous que les piles sont alignées avec la bonne polarité (+/-).

Si avez rencontrez toujours des problèmes ou fonctionnez sur un système d'eau modifié, veuillez appeler le soutien technique au **866.356.1992**

L'unité ne fait rien :

a. Assurez-vous que vous avez votre source d'eau branchée sur le côté de l'entrée d'eau (connexion complètement à droite) et que la pomme de douche est branchée sur le côté de la sortie d'eau (connexion complètement à droite)

b. Assurez-vous que vous avez une alimentation adéquate en propane.

c. Assurez-vous que vous avez des piles fraîches.

Si vous rencontrez toujours des problèmes ou fonctionnez sur un système d'eau modifié, veuillez appeler le soutien technique au **866.356.1992**

Autres Produits:

L5: Le L5 est la petite soeur du L10. Cette unité ventilée sur le dessus fournit jusqu'à 1.4 GPM (5 LPM) et des températures jusqu'à 150 degrés Fahrenheit (65 degrés Celsius) Un choix idéal pour les tâches d'eau chaude portables.



40-H: Chauffe-eau résidentiel à montage extérieur au PL ou GN. Côté par le GAMA comme 6.3 GPM (23 LPM), il s'agit du choix idéal pour une chambre standard 3 et salle de bain 2-2.5. Le montage extérieur signifie plus de tuyauterie de ventilation additionnelle à acheter.



40-HI: Chauffe-eau résidentiel à montage intérieur au PL ou GN. La version extérieure du 40-H, est un choix idéal pour une chambre standard 3 et salle de bain 2-2.5. L'installation intérieure en fait un choix pratique pour remettre à zéro votre vieux chauffe-eau à capacité inefficace.





- Visitez-nous sur le web www.eccotemp.com
- Appelez-nous (866) 356.1992
- Envoyez-nous un fax (843) 875.4230
- Envoyez-nous un courriel au info@eccotemps.com

**EccoTemp
Systems, LLC**

315-A Industrial Road
Summerville, SC 29483

Téléphone (866) 356.1992
www.eccotemp.com
info@eccotemp.com

Aussenmontierter, tankloser

L10 Liter Durchlauferhitzer



EccoTemp Systems, LLC

Volume EU1, Issue 1

**DIE ZUKUNFT VOM EFFIZIENTEN, AUSSEN MONTIERBAREN,
MIT FLÜSSIGEM PROPANGAS BETRIEBENEN
10 LITER WASSERDURCHLAUFERHITZER**

Inhaltsverzeichnis

Betrieb und Instandhaltung	47
WARNUNGEN	51
Einsatzzweck und Vorteile des L10	52
Funktionen und Features	53
Erste Schritte.....	56
Installation/Betrieb	58
Einstellungen.....	60
Fehlersuche.....	62
Andere Produkte	67



**Dieser Durchlauferhitzer erfüllt die
Anforderungen der Richtlinie für Gasgeräte
2009/142/EC (ex-90/396/EEC)**

Dieses Handbuch hat zwei Funktionen: Erstens, um dem Installateur grundlegende Anweisungen und Empfehlungen zur einwandfreien Installation und Einstellung des Durchlauferhitzers zu geben; und zweitens, um dem Eigentümer/Betreiber den Betrieb, die Sicherheitsmaßnahmen, Wartung und Fehlersuche des Durchlauferhitzers zu erklären.

Es ist überaus wichtig, dass alle Personen, die diesen Durchlauferhitzer einbauen, betreiben, oder einstellen, die Anleitungen genau gelesen haben, um die Ausführung dieser Funktionen zu verstehen. Wenn Sie diese Anleitungen nicht verstehen, lassen Sie sich fachmännisch beraten.

Fragen zum Betrieb, zu Wartungsdiensten oder zur Garantie dieses Durchlauferhitzers sollten direkt an Eccotemp Systems, LLC oder an eine ihrer internationalen Vertriebsgesellschaften gerichtet werden.

Nordamerika: Eccotemp Systems, LLC, 866.356.1992 (gebührenfrei) oder support@eccotemp.com

England: Abbas Cabins, LTD, +44 01202 5900008, abbascabins@eccotemp.com

Niederlande/Deutschland: KIIP, +0031 (0)229 842424 kiip@eccotemp.com

Werfen Sie dieses Handbuch nicht weg. Bitte lesen Sie es vorsichtig und bewahren Sie es für künftige Referenzzwecke sorgfältig auf.



Warnung des Kalifornischer Gesetzesantrags 65:
Dieses Gerät enthält Chemikalien, die nach Befinden des

WARNUNG: Wenn diese Anleitungen nicht genau befolgt werden, dann kann das ein Feuer oder eine Explosion mit Sachschaden, Körperverletzungen oder Tod zur Folge haben.

WICHTIGE SICHERHEITSINFORMATIONEN. LESEN SIE ALLE ANLEITUNGEN VOR GEBRAUCH

Stellen Sie sicher, daß Sie die gesamte Anleitung zu Betrieb und Instandhaltung gelesen und verstanden haben vor der Installation oder dem Einsatz dieses Durchlauferhitzers. Das spart Ihnen Zeit und Geld. Beachten Sie insbesondere die Sicherheitsvorkehrungen. Das Nichtbefolgen dieser Warnungen könnte schwere Verletzungen oder Tod zur Folge haben. Sollten Sie Fragen haben oder Schwierigkeiten, die Anleitungen in diesem Handbuch zu verstehen, STOPPEN Sie unverzüglich, und lassen Sie sich fachmännisch oder von dem lokalen Gasversorger helfen.

GEFAHR! INSTALLIEREN UND VENTILIEREN SIE DEN DURCHLAUFERHITZER VORSCHRIFTSGEMÄSS...

Unvorschriftsgemäße Installation des aussen montierten Durchlauferhitzers laut Installationsanleitungen in diesem Handbuch kann zu einem unsicheren Betrieb des Durchlauferhitzers führen. Um das Risiko von Feuer, Explosion, oder Erstickung durch Kohlenmonoxid zu vermeiden, betreiben Sie den Durchlauferhitzer niemals, solange er nicht vorschriftsgemäß installiert ist und im Betrieb über ausreichende Luftzufuhr verfügt. Prüfen Sie die sachgemäße Installation des Abzugs vor der ersten Inbetriebnahme; und danach wenigstens einmal jährlich. Wenden Sie sich an den Abschnitt, Pflege und Reinigung, in diesem Handbuch für weitere Informationen über die Inspektion des Abzugs.

WARNUNG!

Benzin, sowie andere brennbare Materialien und Flüssigkeiten (Klebstoffe, Lösungsmittel, Farbverdünnungen, etc.), und die von ihnen ausgelösten Verdunstungen sind höchst gefährlich. KEIN UMGANG DAMIT! Benzin und andere brennbare oder entflammbare Materialien keinesfalls in räumlicher Nähe des Durchlauferhitzers oder anderen Vorrichtungen verwenden und lagern. Lesen und befolgen Sie die Labels auf dem Durchlauferhitzer, sowie die in diesem Handbuch abgedruckten Warnungen. Deren Nichtbefolgung kann Sachschaden, Körperverletzungen oder Tod zur Folge haben.

GEFAHR

Brennbare Verdünstungen

Verdünstungen von brennbaren Flüssigkeiten explodieren und entzünden sich, und können Tod oder schwerwiegende Verbrennungen zur Folge haben.

Verwenden und lagern Sie keine brennbaren Produkte wie etwa Benzin, Lösungsmittel oder Klebstoffe im selben Raum oder im Bereich des Durchlauferhitzers.

Lagern Sie brennbare Produkte:

1. weit entfernt vom Durchlauferhitzer
2. in vorschriftsgemässen Behältern
3. dicht verschlossen und
4. außerhalb der Reichweite von Kindern.

Der Durchlauferhitzer hat eine Hauptzündflamme.

Die Hauptzündflamme:

1. kann jederzeit angehen und
2. entflammbare Verdünstungen entzünden.

Verdünstungen:

1. sind nicht sichtbar
2. sind schwerer als Luft
3. verbreiten sich weit am Boden aus
4. können von anderen Räumen durch Luftzug an den Durchlauferhitzer getragen werden.

Installation:

Installieren Sie den Durchlauferhitzer nicht, wo brennbare Produkte gelagert oder verwendet werden, es sei denn die Zündflamme befindet sich mindestens 50 cm über dem Boden. Dies reduziert zwar, eliminiert aber nicht das Risiko, dass Verdünstungen durch den Durchlauferhitzer entzündet werden.

Lesen und befolgen Sie die Warnungen und Anleitungen des Durchlauferhitzers. Wenn das Besitzerhandbuch nicht vorhanden ist, setzen Sie sich mit dem Händler oder dem Hersteller in Verbindung.

MODELLE FÜR ERDGAS UND FLÜSSIGGAS

Flüssiggas sowie auch Erdgas haben einen Geruchsstoff beigemischt, um ausströmendes Gas leichter zu entdecken. Einige Leute sind aber physisch nicht in der Lage, diesen Geruchsstoff zu erkennen. Falls Sie sich nicht sicher sind oder Ihnen der Geruch von Flüssiggas oder Erdgas unbekannt ist, fragen Sie Ihren Gasversorger. Auch andere Umstände, wie zum Beispiel "Geruchsstoffschwund", durch welchen der Geruchsstoff seine Intensität verliert, können ausströmendes Gas verdecken oder tarnen.

- Die mit Flüssiggas betriebenen Durchlauferhitzer sind unterschiedlich zu den Erdgasmodellen. Erdgasdurchlauferhitzer werden mit Flüssiggas nicht sicher funktionieren und umgekehrt.
- Ein Versuch den Durchlauferhitzer von Erdgas auf Flüssiggas zu konvertieren sollte niemals unternommen werden. Um eine mögliche Beschädigung der Anlage, Körperverletzung oder Brand zu vermeiden, schliessen Sie den Durchlauferhitzer nicht an einen Brennstoff, der nicht im Typenschild vorgemerkt ist.
- Flüssiggas muss mit großer Vorsicht angewendet werden. Es ist schwerer als Luft und sammelt sich zuerst in unteren Bereichen; daher ist die Erkennung in Nasenhöhe schwierig.
- Vor der Inbetriebnahme des Durchlauferhitzers, prüfen und riechen Sie nach ausströmendem Gas. Benutzen Sie eine Seifenlösung, um alle Gasarmaturen und Anschlüsse zu prüfen. Die Blasenbildung eines Anschlusses zeigt ein Ausströmen an, das korrigiert werden muss. Wenn der Geruch von ausströmendem Gas wahrgenommen wird, riechen Sie unbedingt auch in der Nähe des Bodens.
- Gasspürgeräte werden bei Flüssiggas- und Erdgasanwendungen empfohlen, und deren Installation sollte gemäß der Empfehlungen des Geräteherstellers und/oder den örtlich geltenden Gesetzen und Vorschriften oder Gepflogenheiten erfolgen.

ZUSÄTZLICHE WARNUNGEN

- 15. Nicht unbeaufsichtigt lassen**
- 16. Das Abgas und die Oberseite des Gerätes ist HEISS! Halten Sie Hände oder Gegenstände von der Oberseite fern.**
- 17. Unter stark windigen Bedingungen nicht verwenden**
- 18. Wenn Gasgeruch wahrgenommen wird, schalten Sie das Gasventil sofort ab! Verwenden Sie keine Flamme, um Gasausströmungen zu finden.**
- 19. Nur Flüssiggas verwenden**
- 20. Nur im Aussenbereich verwenden**
- 21. Ziehen Sie den Gasdruckregleranschluss mit dem Schraubenschlüssel nicht zu stark an. Das könnte einen Riss im Gasdruckregler verursachen.**

Einsatzzweck und Vorteile des L-10

Der EccoTemp L-10 ist ein mit flüssigem Propangas befeuerter Durchlauferhitzer, der fast überall bis zu 10 Liter Warmwasser pro Minute erzeugt. Die Einheit hat standardmäßige ½ Zoll Rohranschlüsse und einen Adapter, um einen Gartenschlauch als Wasserzuführung zu verwenden (Nordamerikanische Modelle).

Der L-10 ist kein Spielzeug. Weltweit benutzten Menschen ähnliche Einheiten, um Wasser sicher und verlässlich zu erhitzen.

Das Gas wird durch einen standardmäßigen 10 KG Propanzylinder (nicht inbegriffen) zugeführt, der auch für Aussengrills verwendet wird. Der Durchlauferhitzer ist mit einem Gasdruckregler und einem Schlauch versehen.

Der Erhitzer kann auch in existierende Wasserleitungen installiert werden mit Niederdruck-Flüssiggasregler. Machen Sie sich mit den örtlichen Vorschriften vertraut.

Die Gerät wird auch mit einer Edelstahl-Regenschutzhülle geliefert, die zum Rauchgasabzug und zum Schutz bei Aussenmontage dient.

Die Zündung ist automatisch und erfolgt durch 2 D-Batterien (nicht inbegriffen). Die Brenner schalten sich ein, sobald das Wasser fließt, und sie schalten sich ab, sobald es nicht mehr fließt. Keine Zündflamme!

Funktionen und Features

- Wassergeregelte, automatische Zündung: Der Wasserdruck von 1,38 bis 5,5 bar öffnet den Zündkreis zum einfachen und handlichen Betrieb
- Automatischer Absperrschutz: Dieser Schutz wird bei Verlöschen der Flamme die Gaszufuhr sofort absperren, um das Risiko ausströmenden Gases zu reduzieren. Auch ein automatischer Absperr-Timer ist vorhanden, der die Gaszufuhr nach 20 Minuten kontinuierlichen Betriebes absperrt. (Nur für nordamerikanische Modelle)
- Energiesparend: Wirkungsgrad von 85%
- Abnehmbares Ablassventil, um Schäden der Wasserleitung und des Reglers durch gefrierendes Wasser zu vermeiden*
- Schutz bei Trocken-Lauf: Das Gerät wird die Gaszufuhr absperren sobald kein Wasser mehr durch den Erhitzer fließt

Specifications

Instructions

Sight window

Gas controlling knob

Water controlling knob

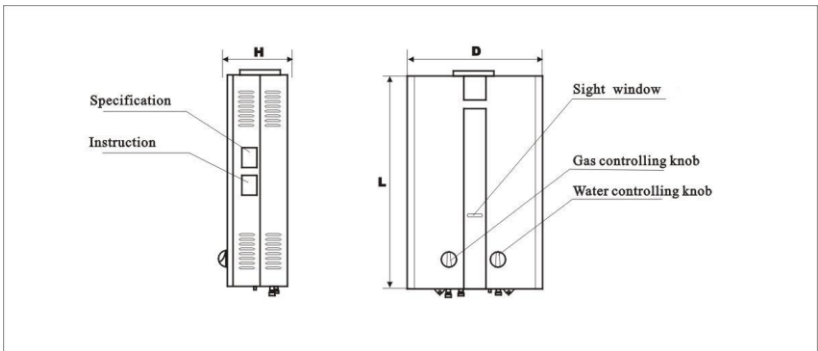
Spezifikationen

Anleitungen

Sichtfenster

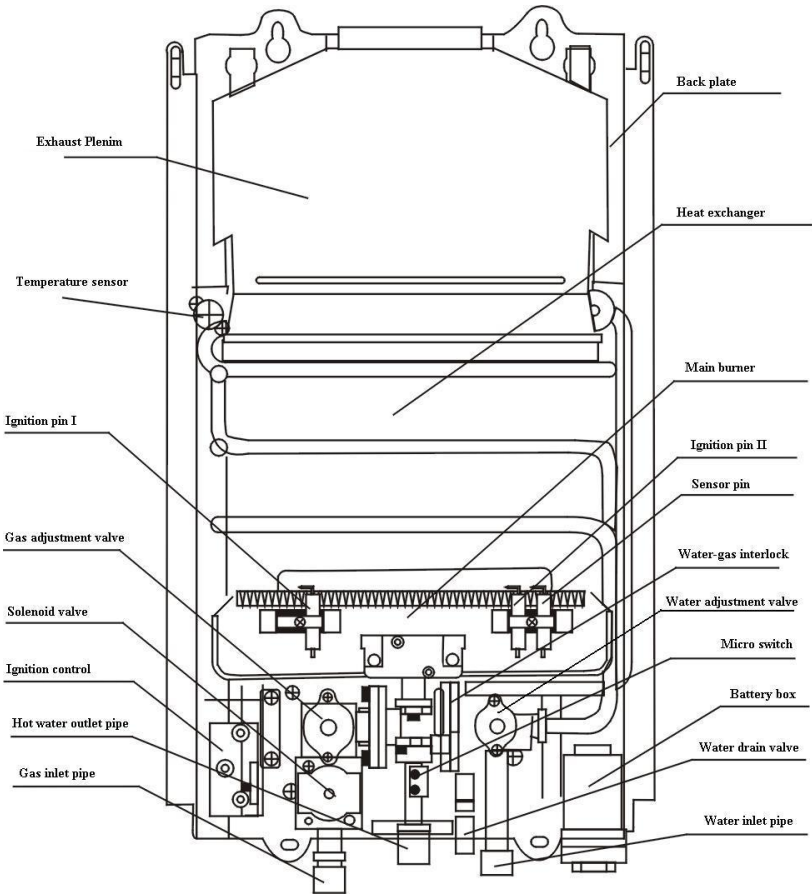
Gasdruckregler

Wasserdruckregler



***Lesen Sie den Abschnitt zum vollständigen Ablassen des Wasser aus dem Gerät, um Gefrierschäden zu vermeiden.**

Konstruktion und Bezeichnung der Teile für das L10 Abgaskanal-System



Exhaust plenum
 Temperature sensor
 Ignition pin I
 Gas adjustment valve
 Solenoid valve

Auslasskammer
 Temperatursensor
 Zündstift I
 Gaseinstellventil
 Elektromagnetventil

Ignition control	Zündungsregler
Hot water outlet pipe	Warmwasser-Ausflussleitung
Gas inlet pipe	Gaszufuhrleitung
Back plate	Rückplatte
Heat exchanger	Wärmetauscher
Main burner	Hauptbrenner
Ignition pin II	Zündstift II
Sensor pin	Sensorstift
Water-gas interlock	Wasser-Gas Verriegelung
Water adjustment valve	Wassereinstellventil
Micro switch	Mikroschalter
Battery box	Batteriekasten
Water drain valve	Wasserabflussventil
Water inlet pipe	Wassereinflussleitung

Erste Schritte

1. Prüfen Sie, ob die Verpackung beschädigt ist. Durch den Transport verursachte Schäden sind sofort zu melden.
2. Prüfen Sie, ob alle Teile vorhanden sind:
 - a. Wasser-Durchlauferhitzer
 - b. Flüssiggasdruckregler und Schlauch
 - c. Regenschutzkappe
 - d. Hardwareteile
3. Befestigen sie die Regenschutzkappe am oberen Abzugsschacht. Die Regenschutzkappe sollte gut befestigt sein. Das Auftragen einer Schichte von Hochtemperatur-Dichtstoff entlang der Berührungsfläche zwischen Regenschutzkappe und Abzugsschacht wird empfohlen.
4. Für nordamerikanische Modelle: Bei Verwendung eines standardmäßigen Gartenschlauchs, schliessen sie den ½ Zoll Rohranschluss zum Gartenschlauchadapter an die mit dem blauen Pfeil markierte Armatur (½ Zoll Anschluss ganz rechts) an. Für europäische Modelle: Schliessen Sie Ihre Wasserzuführung einfach an den Anschluss ganz rechts an. Verwenden Sie Teflonband oder eine andere zulässige Abdichtung, um einen sicheren und wasserdichten Anschluss zu gewährleisten. Prüfen Sie, dass das Sieb innerhalb der Wasserzufuhr richtig positioniert und sauber ist, und schliessen Sie dann den Wasserzufluss/Gartenschlauch an.

5. Schliessen Sie die Gaszuführung und den Gasdruckregler an das Gerät an. **ZIEHEN SIE DIE VERBINDUNG NICHT ZU STARK MIT DEM SCHRAUBENSCHLÜSSEL AN. DAS ÜBERDREHEN KÖNNTE IM GASDRUCKREGLER EINEN RISS VERURSACHEN!** Vor der Zündung, prüfen Sie, ob Gasgeruch vorhanden ist! Stellen Sie sicher, dass der Anschluss vollständig angeschraubt ist. Für europäische Modelle: Prüfen Sie, ob sich die schwarze Gummidichtung innerhalb der Gaszuführanschlusses befindet.
6. Schliessen Sie Ihre Wasserausflussvorrichtung an die mit "Wasserausfluss" markierte Armatur. **Verwenden Sie dabei nur Druck mittels der Hand.** Bei Installation eines bereits bestehenden Wassersystems, schliessen Sie die Heisswasserzufuhr direkt an den ½ Zoll Rohranschluss an.
7. Installieren Sie zwei D-Batterien in das Fach am Boden des Beheizers. Prüfen Sie, ob die Polarität der Batterien stimmt.
8. Verwenden Sie das obige Schlaufenhalteteil, um das Gerät an einer Schraube – die für das Gewicht von 13 kg ausreichend stark ist – aufzuhängen. Montieren Sie das Gerät in einer bequemen Höhe, ohne die Gasleitung zu belasten. Falls das Gerät bleibend montiert werden soll, verwenden Sie Schrauben, um die untere Schlaufe sicher zu befestigen.
9. Schliessen Sie den Gasdruckregler mit Schlauch an den Flüssiggastank an. Verwenden Sie nur Druck mittels der Hand für den Plastikanschluss. **LASSEN SIE DAS GASTANKVENTIL IN DER AUSSTELLUNG:**

Bevor Sie auf den Abschnitt BETRIEB übergehen:

Prüfen sie, ob sich brennbare Produkte in der Nähe befinden, insbesondere Benzin oder andere, leicht entzündbare Verdünnungen. Der Abzug und Oberteil des Gerätes wird sehr HEISS! Prüfen Sie, daß sich keine Gegenstände in der Nähe befinden, oder dass sie in das Oberteil gefallen sind.

Betrieb und Starten

- 1. Drehen Sie die Wasserzufuhr auf. Prüfen Sie, ob Sie genügenden, bleibenden Wasserdruck zwischen 1,38 und etwa 5,5 bar haben.**
- 2. Drehen Sie Ihre Wasserausflussvorrichtung in die AUS-Stellung.**
- 3. Drehen Sie das Gasventil am Zylinder vollständig auf.**
- 4. BEI GASGERUCH, DREHEN SIE DAS GASVENTIL SOFORT AUS!!!!**
- 5. Stellen Sie den Wasserdruckregler an der Vorderseite des Gerätes auf die höchste Markierung.**
- 6. Stellen Sie den Gasdruckregler an der Vorderseite des Gerätes auf die kleinste Markierung.**
- 7. Schalten Sie ihre Wasserausflussvorrichtung auf AN, und stellen sie den erwünschten Wasserfluss ein.**

8. Eine Reihe von hörbaren Klickern findet statt bis der Brenner zündet. (Sollte der Brenner nach 5 Sekunden nicht zünden, schalten Sie ihn aus und gehen Sie zum Abschnitt: Fehlersuche).
9. Nach dem Betrieb oder Lagerung, öffnen Sie das Abflussventil (gerippter zylindrischer Schaft neben dem Wasserzuflussventil), um das Wasser abfließen zu lassen.
10. Drehen Sie die Gaszufuhr aus
11. **WARNUNG:** Wenn sich die Aussentemperatur um den Gefrierpunkt oder darunter befindet, (0°C), vergewissern Sie sich, dass das Abflussventil offen ist und das Wasser nach jedem Betrieb abgelassen wurde, um Schäden innerhalb des Wasserdruckreglers zu vermeiden. Sie werden auch den Wasserabfluss abschrauben müssen, um sicherzustellen, dass das gesamte Wasser aus dem Durchlauferhitzer abgelassen wurde. Versäumnis des ordnungsgemäßen Wasserablassens wird Wasserschäden verursachen, die unter Umständen nicht zu reparieren sind. Lesen Sie bitte die Garantiebestimmungen und weitere Informationen über das Einfrieren auf unserer Webseite: www.eccotemp.com/freeze

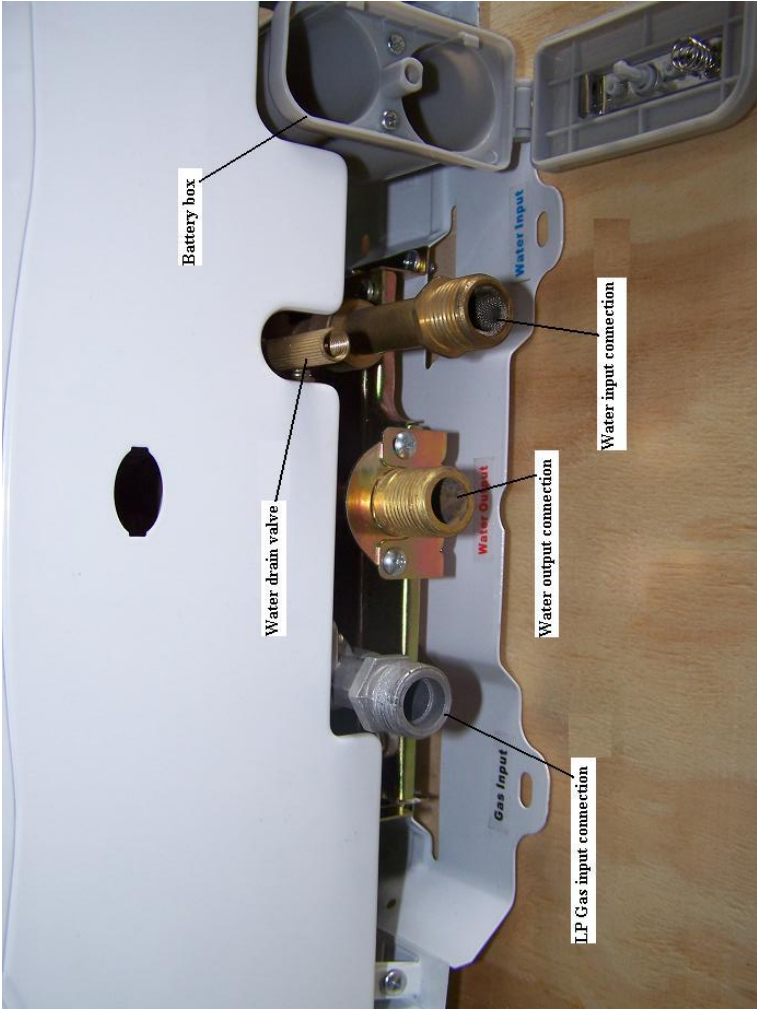
EINSTELLUNG

Die Temperatur des abfliessenden Wassers ist abhängig von der Temperatur des zufließenden Wassers, abgeglichen mit der zugeführten Wärmemenge. Seien Sie äusserst vorsichtig in der Einstellung der abfliessenden Wassertemperatur.

- 1. Stellen Sie den Wasserdruckregler auf hoch, und den Gasdruckregler auf niedrig, und fühlen Sie dann das abfliessende Wasser. Dies ist die niedrigst anwendbare Einstellung.**
- 2. Um anfänglich die Abflusstemperatur zu steigern, drehen sie das Gasventil langsam zur maximalen Einstellung. Gleichen Sie es langsam an, und prüfen Sie ständig die Temperatur. Nach der gesteigerten Gaszufuhr wird sich die Erhöhung der Wassertemperatur kurz verzögern.**
- 3. Sollte die abfliessende Wassertemperatur weiter erhöht werden, reduzieren Sie langsam den Wasserdruckregler bis die erwünschte Temperatur erreicht ist.**

WARNUNG:

DAS GERÄT IST IN DER LAGE SIEDEND HEISSES WASSER ZU PRODUZIEREN!



LP Gas input connection
 Water drain valve
 Water output connection
 Battery box
 Water input connection

Anschluss für Flüssiggaszuführung
 Wasserablassventil
 Anschluss für Wasserabfluss
 Batteriekasten
 Anschluss für Wasserzufluss

SCHICKEN SIE DAS GERÄT NICHT ZURÜCK:

Falls Probleme auftreten, Setzen Sie sich direkt mit Eccotemp oder mit einer ihrer internationalen Vertriebsgesellschaften (auf Seite 1) in Verbindung!

FEHLERSUCHE

Das Gerät startet nicht – kein hörbares Klicken bei Inbetriebsetzung:

- a. Zunächst ist zu prüfen, ob sich der Wasserzufluss auf der rechten Seite des Gerätes befindet. Wenn Zufluss und Abfluss invertiert sind, wird das Gerät nicht funktionieren. Der Zufluss ist ganz rechts und der Abfluss in der Mitte.

- b. Prüfen Sie, ob die Batterien frisch sind, und dass ihre Polarität (+/-) stimmt.

- c. Der Hauptgrund, warum das Gerät nicht zündet, liegt oft bei ungenügendem Wasserdruck. Ein gleichbleibendes Wasserdruckminimum von 1,38 bar ist notwendig. Der von der städtischen Wasserversorgung bereitgestellte Wasserdruck sollte genügen. Die meisten 12/18/120/240 Pumpen genügen dieser Anforderung, solange deren Kapazität bei 2 bar oder höher liegt.

EINSTELLUNG: Auf die Unterseite des Gerätes befinden sich zwei ovale Löcher im Gehäuse wo der vordere mit dem hinteren Teil zusammenkommt. Beim Wasserdruckregler sind zwei Kreuzschrauben sichtbar. Drehen Sie die Schraube ganz rechts (die größere Schraube) etwa $\frac{1}{4}$ oder $\frac{1}{2}$ Drehung nach innen. Dies wird den Betrieb des Gerätes bei geringerem Wasserdruck und bei eingeschränktem Fluss ermöglichen.

BEACHTEN SIE: Vor der Entfernung der Abdeckung, rufen Sie den technischen Support auf Seite 1 an

d. Ein Draht hat sich während des Transports innerhalb des Gerätes gelöst. Vergewissern Sie sich, dass das Gas abgedreht ist. Die vordere Abdeckung wird durch sechs Schrauben befestigt, vier oben und zwei unten. Die Drehknöpfe lassen sich abziehen. Alle elektrischen Leitungen sind mit Klemmsteckern aus Plastik versehen. Sie sind alle sichtbar ohne weitere Zerlegung des Gerätes. Die Loslösung eines Drahtes sollte offensichtlich sein.

e. Es ist möglich, dass Schmutz oder Epoxid in den Wasserregler gelangt ist. Prüfen Sie, ob der Filter im Wasserzufluss sauber und schmutzfrei ist. Sie können auch die Anschlüsse invertieren und den Wasserzufluss an den Wasserabfluss anschliessen, um das System durchzuspülen.

f. Propangaszylinder sind manchmal mit Luft kontaminiert, vor allem neue Zylinder bei ihrer ersten Füllung. Wiederholen Sie den AN und AUS Zyklus durch das mehrmalige An- und Ausschalten der Ausflussvorrichtung, um die Luft vom Gas abzuführen.

Sollte ein Gerät nach 10 Zyklen nicht zünden oder angezündet bleiben, rufen Sie den technischen Support auf Seite 1 an

Das Gerät startet und schaltet sich dann ab:

a. Das Gerät benötigt ein Wasserflussminimum von etwa 2 Litern pro Minute und ein Gasdruckminimum von etwa 1,38 bar. Beachten Sie, wenn sich der Wasserdruck am niedrigeren Niveau der Betriebsparameter befindet. Sie benötigen einen gleichbleibenden Wasserdruck von ungefähr 2,7 bar bis 4,1 bar für die zweckentsprechende Nutzung, wenn Sie eine 12/18/120/240 Volt-Pumpe verwenden. Siehe EINSTELLUNG im vorhergehenden Abschnitt.

b. Starke Winde

c. Das Gas geht aus. Propangaszyylinder sind manchmal mit Luft kontaminiert, vor allem neue Zylinder bei ihrer ersten Füllung. Wiederholen Sie den AN und AUS Zyklus durch das mehrmalige An- und Ausschalten der Abflussvorrichtung, um die Luft vom Gas abzuführen.

Wenn dieser Vorgang die vorhandene Luft nicht befreit, dann muss der Tank entlüftet werden.

d. Einer der Zündsensoren ist verbogen und/oder zu nahe am Brenner. Prüfen Sie, ob die Zündstifte und die Wärmeaufnehmer vollständig aufrecht sind mit 90 Grad zur Rückseite des Gehäuses. Falls sie nicht gerade sind (z.B. in einem 45 Grad Winkel), können Sie die Stifte mit einer Zange geradebiegen.

e. Das Thermelement ist entweder zu hoch oder zu niedrig, um den Kreislauf zu schliessen. Vergewissern Sie sich, dass das Thermelement mit dem Loch im Wärmetauscher eben ist.

f. Die Verbindung des Gassensordrahtes (sieht aus wie ein schwarzer Erdungsdraht am Gasdruckregler) könnte sich gelöst haben oder nicht mehr angeschlossen sein.

g. Der Wärme- oder Sauerstoffsensor ist fehlerhaft. Dies kann normalerweise durch Abnahme des vorderen Gehäuses bei Inbetriebnahme festgestellt werden. Wenn das Gerät weiterhin in Betrieb bleibt, dann muss einer der Sensoren und/oder der Kabelbaum ersetzt werden. Dies könnte auch durch ungenügenden Abstand an der hinteren Seite des Gerätes verursacht werden, wo sich die Hauptzufuhr der Luft befindet.

h. Das Ventil am Propangaszyylinder sollte ganz auf OFFEN gestellt sein.

i. Zum Zündfunken sind frische Batterien nötig. Prüfen sie, dass die Polarität der Batterien (+/-) stimmt.

Das Wasser wird nicht heiss genug:

a. Das Gerät ist in über 1820 Meter Meereshöhe in Betrieb. Obwohl es bis auf 2195 Meter Meereshöhe getestet wurde, empfehlen wir den Einsatz in Meereshöhe von unter 1820 Metern.

b. Schauen Sie durch die Sichtfenster (mittlere, horizontale Fenster am vorderen Gehäuse), um eine blaue Flamme zu sehen. Falls die Flamme gelb ist, könnte der Gasregler gesprungen sein. Versuchen Sie nicht, das Gerät zu betreiben, und setzen Sie sich direkt mit Eccotemp in Verbindung.

Wasser fließt, aber heisses Wasser wird nicht erzeugt:

a. Vergewissern Sie sich, dass Wasserzufluss und Abfluss ordnungsgemäß angeschlossen sind. Der Wasserzufluss sollte an die zuführende Verbindung angeschlossen sein (ganz rechts befindlich), und die Wasserabflussvorrichtung sollte an den Wasserabfluss angeschlossen sein (der mittlere Anschluss).

b. Vergewissern Sie sich, dass Sie einen ausreichenden und beständigen Wasserdruck von mindestens 1,38 bar haben.

c. Vergewissern Sie sich, dass sie genügend Gas im Propanzylinder haben, und dass der Flüssiggasregler vollständig an die Einheit angeschraubt ist.

d. Zum Zündfunken sind frische Batterien nötig. Prüfen sie, dass die Polarität der Batterien (+/-) stimmt.

Falls Sie noch immer Schwierigkeiten haben, oder sich an einem modifizierten Wassersystem befinden, setzen Sie sich mit dem technischen Support auf Seite 1 in Verbindung.

Am Gerät tut sich nichts:

a. Prüfen Sie, ob die Wasserzufuhr an der Seite des Wassereinflusses angeschlossen ist (Anschluss ganz rechts), und die Wasserabflussvorrichtung an der Seite des Wasserausflusses angeschlossen ist (Anschluss ganz rechts)

b. Prüfen Sie die ausreichende Versorgung von Propangas

c. Prüfen Sie den Zustand der Batterien

Falls Sie noch immer Schwierigkeiten haben, oder sich an einem modifizierten Wassersystem befinden, setzen Sie sich mit dem technischen Support auf Seite 1 in Verbindung.

Other Products:

L5: The L5 ist die kleinere Schwestereinheit des L10. Dieses nach oben-abgasentlüftete System für den Aussenbereich liefert bis zu 5 Liter pro Minute und Temperaturen bis zu 65°C. Ideal für Anwendungen, die tragbare Warmwasserproduktion benötigen.





Mehr Informationen zu weiteren Produkten und Dienstleistungen finden Sie auf unserer Webseite: www.eccotemp.com

Internationale Vertriebsgesellschaften

England:
Abbas Cabins
+44 01202 590008 Telefon
+44 01202 331963 Fax
abbascabins@eccotemp.com

Deutschland/Niederlande:
KIIP
+0031 (0)229 842424 Telefon
kiip@eccotemp.com

EccoTemp Systems, LLC

315-A Industrial Road
Summerville, SC 29483

Telefon: (866) 356.1992
www.eccotemp.com
info@eccotemp.com

L10 Liter geiser voor buiten gebruik



EcoTemp Systems, LLC

Volume EU1, Uitgave 1

DE TOEKOMST VAN EFFICIËNTIE

10 LITER LPG GEISER VOOR GEBRUIK BUITEN

Table of Contents

Use and Care Introduction	3
WARNINGS	4
The Purpose and Benefits of the L10	7
Functions and Features	8
Getting Started	10
Installation/Use	12
Adjustment.....	14
Troubleshooting.....	16
Additional Products	20

**Deze geiser voldoet aan Voorschrift 2009/142/EC (ex-
90/396/EEC) voor Gasapparatuur**

Handleiding voor Gebruik en Onderhoud – L10

Het doel van deze handleiding is tweeledig. Een: basisaanwijzingen en aanbevelingen voor de installateur over hoe de geiser geïnstalleerd en afgesteld moet worden, en twee: voor de eigenaar, om de eigenschappen, wijze van gebruik en veiligheidsinstructies uit te leggen, en wat te doen als er iets niet werkt. Deze handleiding bevat bovendien een stuklijst.

Het is belangrijk dat iedereen die deze geiser installeert, bedient of afstelt, de instructies zorgvuldig doorleest en weet hoe alle functies uitgevoerd moeten worden. Als u de instructies of terminologie niet begrijpt, roep dan de hulp in van een professional.

Voor vragen over de bediening, onderhoud of garantie op deze geiser neemt u contact op met Eccotemp Systems LLC of rechtstreeks met een Internationale Distributeur.

Noord Amerika: Eccotemp Systems, LLC, 866.356.1992 Toll Free or support@eccotemp.com

Verenigd Koninkrijk: Abbas Cabins, LTD, +44 01202 5900008, abbascabins@eccotemp.com

Nederland/Duitsland: KIIP, +0031 229582915, kiip@eccotemp.com

Gooi deze handleiding niet weg. Lees hem zorgvuldig door en bewaar dan op een veilige plaats voor toekomstig gebruik.



WAARSCHUWING: Het niet exact opvolgen van de instructies in deze handleiding kan brand of explosies veroorzaken met materiële schade, persoonlijk letsel of de dood tot gevolg.

IMPORTANT SAFETY INFORMATION. READ ALL INSTRUCTIONS BEFORE USING.

Be sure to read and understand the entire Use and Care Manual before attempting to install or operate this water heater. It may save you time and money. Pay particular attention to the Safety Instructions. Failure to follow these warnings could result in serious bodily injury or death. Should you have problems understanding the instructions in this manual, or have any questions, STOP, and get help from a qualified service technician, or the local gas utility.



! DANGER!

INSTALL AND PROPERLY VENT THE WATER HEATER...



Failure to properly install the water heater outdoors as outlined in the Installation Instructions in this manual can result in unsafe operation of the water heater. To avoid the risk of fire, explosion, or asphyxiation from carbon monoxide, never operate this water heater unless it is installed properly and has an adequate air supply for proper operation. Be sure to inspect the flue terminal for proper installation at initial start-up; and at least annually thereafter. Refer to the Care and Cleaning section of this manual for more information regarding flue terminal inspection.



! WARNING!

Gasoline, as well as other flammable materials and liquids (adhesives, solvents, paint thinners etc.), and the vapors they produce are extremely dangerous. DO NOT handle, use or store gasoline or other flammable or combustible materials any where near or in the vicinity of a water heater or any other appliance. Be sure to read and follow the labels on the water heater, as well as the warnings printed in this manual. Failure to do so can result in property damage, bodily injury or death.

! DANGER



Flammable Vapors

<p>! Vapors from flammable liquids will explode and catch fire causing death or severe burns.</p> <p>Do not use or store flammable products such as gasoline, solvents or adhesives in the same room or area near the water heater.</p> <p>Keep flammable products:</p> <ol style="list-style-type: none">1. far away from heater,2. in approved containers,3. tightly closed and4. out of children's reach.	<p>Water heater has a main burner flame.</p> <p>The main burner flame:</p> <ol style="list-style-type: none">1. which can come on at any time and2. will ignite flammable vapors. <p>Vapors:</p> <ol style="list-style-type: none">1. cannot be seen,2. are heavier than air,3. go a long way on the floor and4. can be carried from other rooms to the main burner flame by air currents.
---	---

<p>Installation:</p> <p>Do not install water heater where flammable products will be stored or used unless the main burner flame is at least</p>	<p>18" above the floor. This will reduce, but not eliminate, the risk of vapors being ignited by the main burner flame.</p>
---	---

Read and follow water heater warnings and instructions. If owners manual is missing, contact the retailer or manufacturer.

AARDGAS EN LPG MODELLEN

Zowel LPG als aardgas krijgen een geurstof toegevoegd om gaslekken op te sporen. Sommige mensen zijn niet in staat deze geur te ruiken of te herkennen. Als u niet zeker weet of u de geur van LPG of aardgas herkent, vraag dan hulp bij de gas leverancier. Andere omstandigheden, zoals een geureter die de intensiteit van de geur vermindert, kunnen eveneens een gaslek camoufleren.

- Geisers die op LPG werken verschillen van de modellen die op aardgas werken. Een aardgasketel is niet veilig bij gebruik van LPG, en vice versa.
- Probeer in geen geval de geiser van aardgas op LPG om te bouwen. Gebruik alleen de brandstof die aangegeven wordt op de gegevensplaat, om beschadiging aan het apparaat, letsel of brand te voorkomen.
- Wees extreem voorzichtig met LPG. Het is zwaarder dan lucht en verzamelt zich dus op lagere plaatsen, buiten bereik van de neus.
- Controleer eerst op lekken, visueel en door te ruiken, voordat u de geiser aansteekt. Gebruik een zeepoplossing om alle aansluitingen te controleren. Belletjes op een aansluitpunt duiden op een lek dat eerst gedicht moet worden. Als u gas ruikt, ruik dan ook op vloerhoogte.
- Het verdient aanbeveling gasdetectoren te gebruiken voor aardgas en LPG systemen,, en installatie ervan dient te gebeuren volgens de aanwijzingen van de fabrikant, en/of plaatselijke wetten, regels of gewoontes.

AANVULLENDE WAARSCHUWINGEN

- 22. Laat het systeem nooit onbeheerd achter**
- 23. Het uitlaatgas en de bovenkant van de unit is HEET! Houd handen en voorwerpen op afstand.**
- 24. Niet gebruiken bij harde wind.**
- 25. Draai onmiddellijk de gaskraan dicht als u gas ruikt! Gebruik geen vlammen om een lek op te sporen.**
- 26. Gebruik alleen Vloeibaar Propaangas (LPG)**
- 27. Alleen voor gebruik buiten**
- 28. Draai de gastoevoer verbinding niet te strak aan. Dit kan scheuren in de gastoevoer veroorzaken.**

Doel en Voordelen van de L-10

De EccoTemp L-10 is een geiser op vloeibaar propaangas (LPG), die in staat is waar dan ook 10 liter heet water af te leveren. De unit heeft standaard ½ Inch pijpansluitingen (BSP voor Europese modellen) en (in Noord-Amerikaanse modellen) een aansluiting voor een standaard tuinslang voor de watertoevoer.

De L-10 is geen speelgoed. Overal ter wereld gebruiken mensen veilig en betrouwbaar vergelijkbare units voor heet water.

Gas wordt geleverd via een standaard propaangasfles (niet meegeleverd) zoals die ook voor een buiten-grill wordt gebruikt. Een slang met regelaar is meegeleverd met de geiser.

U kunt het systeem ook op bestaande waterleidingen aansluiten en een lagedruk LPG regelaar gebruiken. Raadpleeg de lokale voorschriften voor de juiste installatie.

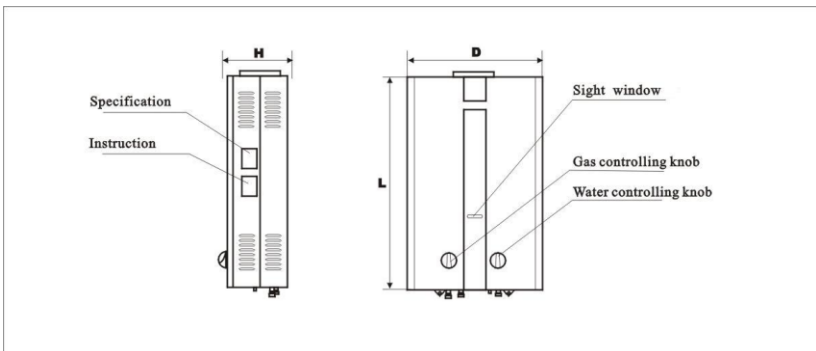
De unit kan worden voorzien van een roestvrij stalen regenkap die de uitlaatgassen afvoert alsmede het product beschermt bij gebruik buiten.

De automatische ontsteking wordt van spanning voorzien door 2 batterijen type "D" (niet meegeleverd). De branders gaan aan wanneer er doorstroom van water is, en gaan uit wanneer het water afgesloten wordt. Er is geen waakvlam!

Functies en Eigenschappen

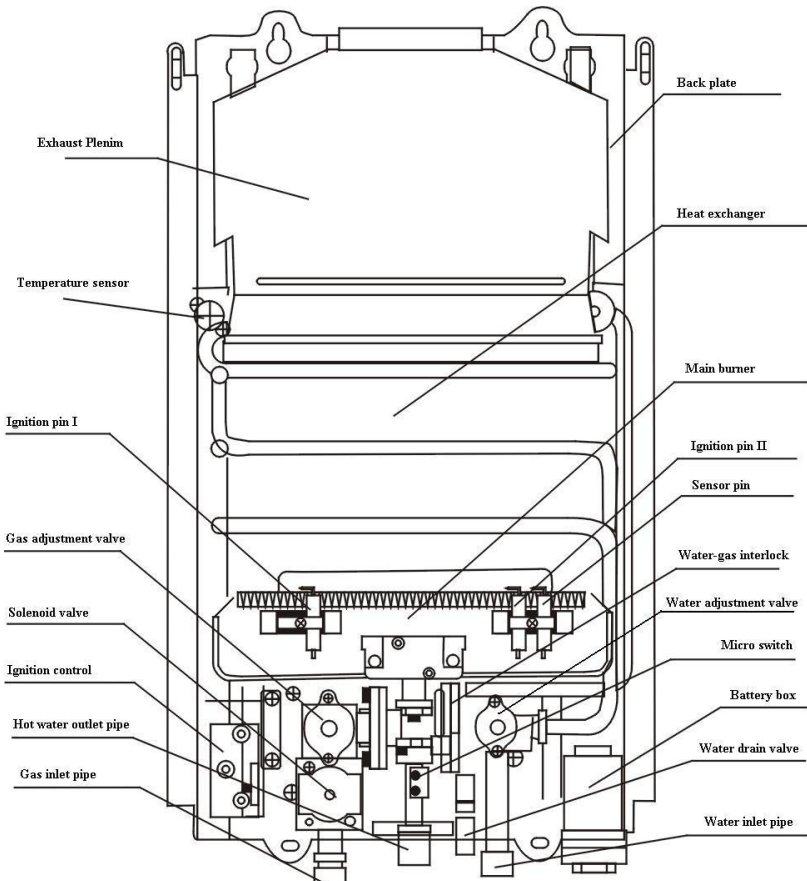
- Het water controleert de automatische ontsteking: Een waterdruk tussen 20 en 80 PSI / 1,3-5,5 bar sluit het ontstekingscircuit waardoor de bediening eenvoudig is.
- Auto-afsluit bescherming: De auto-afsluit bescherming schakelt in geval van vlammen onmiddellijk de gastoevoer af, om het risico op gaslekkage te minimaliseren. Er is ook een ingebouwde timer die het systeem na 20 minuten continu gebruik afschakelt (alleen op Noord Amerikaanse modellen)
- Energiezuinig: 85% rendement
- Verwijderbare afvoerklep om bij vorst schade aan waterpijp en -regelbaar te voorkomen*

Bescherming tegen brand: Indien er geen water door de unit stroomt, zal de unit de gastoevoer blokkeren



***Raadpleeg het hoofdstuk “onderhoud” voor instructies over hoe al het water uit het systeem te laten lopen om bevriezing te voorkomen.**

Constructie en Namen van Onderdelen van het L10 Afvoerpijp Systeem



Starten

1. Controleer of de verpakking niet beschadigd is. Als de verpakking tijdens transport beschadigd is, moet hier onmiddellijk melding van gemaakt worden.
2. Controleer dat alle onderdelen aanwezig zijn:
 - a. Geiser
 - b. LPG regelaar en slang
 - c. ½" NPT aansluiting voor een tuinslang (Noord Amerikaanse modellen)
 - d. Complete hardware pakket
3. Installeer de additionele regenkap op de bovenkant van de afvoerpijp. De regenkap moet goed vastzitten. Het verdient aanbeveling hittebestendig materiaal te gebruiken rondom de afsluiting tussen de regenkap en de afvoerpijp.

4. Voor gebruik in Noord Amerika met een standaard tuinslang: Maak de 1/2" NPT tuinslang aansluiting vast aan de fitting gekenmerkt door de blauwe pijp (meest rechtse 1/2" verbinding). Voor Europese modellen: Sluit simpelweg de waterbron aan de meest rechtse verbinding aan. Gebruik "Teflon" of een andere veilige afdichtmethode voor een veilige waterdichte fit. Zorg dat het scherm in de watertoevoer op zijn plaats zit, en sluit vervolgens de waterinlaat/tuinslang aan na deze schoongemaakt te hebben.
5. Monteer gastoevoer en regelaar aan de unit. **DRAAI NIET TE STRAK AAN. HIERDOOR KAN DE GASREGELAAR GAAN SCHEUREN MET GASLEKKAGE ALS GEVOLG!** Wees er zeker van dat u geen gas ruikt voordat u het systeem aansteekt! Zorg dat alle schroeven aangedraaid zijn. Voor EUROPESE MODELLEN, zorg dat de zwarte rubberen afsluitring aan de binnenzijde van de verbinding aanwezig is.
6. Maak de wateruitvoer vast aan de fitting waar op staat "Water Outlet" (middelste verbinding). **Alleen met de hand aandraaien!** Verbind bij installatie aan een bestaand watersysteem de heet water lijn rechtstreeks met de 1/2" NPT/BSP aansluiting.
7. Plaats twee batterijen type "D" in het compartiment aan de linker onderzijde van de geiser. Zorg dat de batterijen de goede kant op wijzen.
8. Hang de unit met de bovenste houder op aan een schroef sterk genoeg om 13 kg te houden. Hang op een gemakkelijk te bereiken hoogte op, zonder de gasslang strak te trekken. Als de unit voor langere tijd opgehangen wordt, schroef dan ook de onderkant stevig vast.
19. Maak de gasregelaar en slang vast aan de gasfles. LAAT HET VENTIEL VAN DE GASTANK IN DE "UIT" STAND.

Voordat u naar het hoofdstuk Gebruik en Starten gaat:

Kijk om u heen om te zien of er geen brandbare voorwerpen aanwezig zijn, zoals benzine of andere stoffen die vlam kunnen vatten. De uitlaat en bovenkant van de unit worden HEET! Let erop dat er zich geen voorwerpen in de buurt van de unit bevinden of erin gevallen zijn.

Gebruik en Starten

- 22. Draai de watertoevoer open. Zorg dat de waterdruk zich tussen 20 en 80 PSI / 1,3 en 5,5 bar bevindt.**
- 23. Zet de wateruitvoer in de “uit” stand**
- 24. Draai de gaskraan van de gasfles helemaal open.**

- 25. ALS U GAS RUIKT, DRAAI DAN DE GASKRAAN ONMIDDELLIJK WEER DICHT!!!!**
- 26. Zet de waterregelaar aan de voorkant van de unit op zijn hoogste instelling.**
- 27. Zet de gasregelaar aan de voorkant van de unit op zijn laagste instelling.**
- 28. Zet de wateruitvoer op “aan”, en stel de gewenste hoeveelheid water in.**
- 29. U hoort een aantal klikken waarna de brander zal ontsteken. (Als de brander na 5 seconden niet aangaat, zet hem dan uit en ga naar het hoofdstuk “Problemen Oplossen”)**
- 30. Open na gebruik of bij opslag het water-aflaat-ventiel (de gerimpelde cilindrische pijp naast de wateraanvoer) om te zorgen dat al het water uit het systeem kan lopen.**
- 31. Draai de gastoevoer dicht.**
- 32. WAARSCHUWING: Als de buitentemperatuur zich in de buurt van of onder het vriespunt bevindt, laat dan telkens na gebruik al het water uit de unit lopen om inwendige beschadiging te voorkomen. Verwijder ook de waterafvoer om er zeker van te zijn dat er geen water in de warmtewisselaar achterblijft. Het niet goed leeg laten lopen van de unit kan onherstelbare schade aan het systeem aanrichten. Lees a.u.b. de garantiebepalingen door die u kunt vinden op onze website www.eccotemp.com/freeze voor meer informatie omtrent bevriezing.**

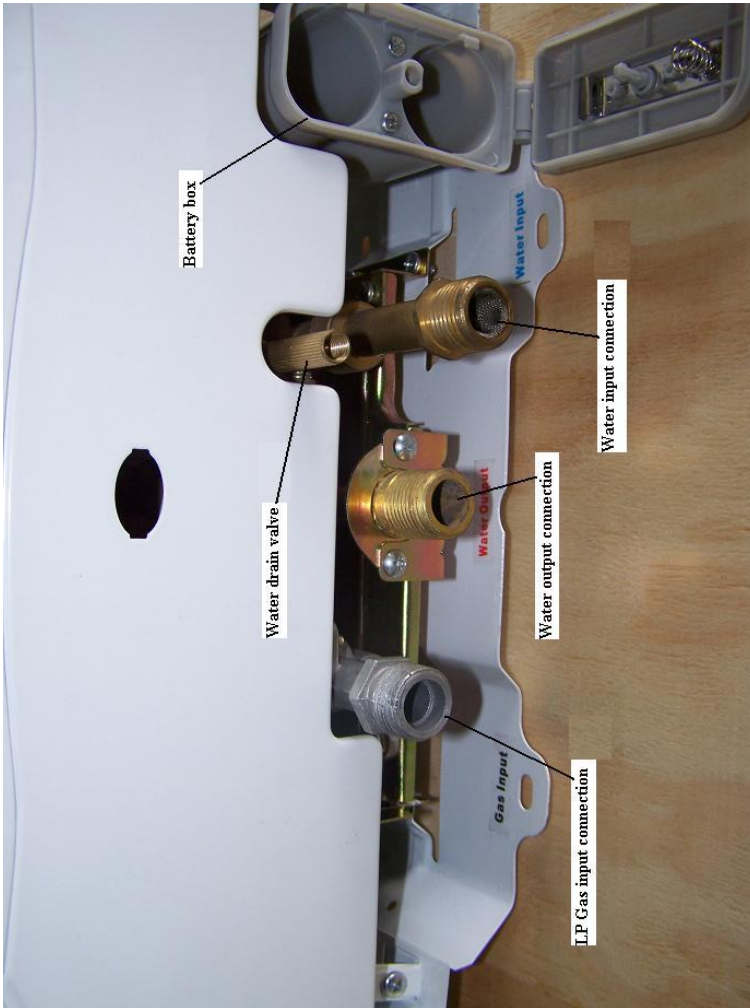
AFSTELLING

De temperatuur van het uitstromende water hangt af van de temperatuur van het instromende water en de hoeveelheid warmte die wordt toegevoegd. Wees uitermate voorzichtig bij het afstellen van de uitstromende watertemperatuur.

- 1. Zet de waterregelaar op hoog en de gasregelaar op laag, en voel de temperatuur van het uitstromende water. Dit is de laagst mogelijke instelling.**
- 2. Om de temperatuur te verhogen, draait u eerst de gaskraan verder open. Doe dit langzaam en controleer voortdurend de temperatuur. Er is een kleine vertraging tussen het opendraaien van de gastoevoer en toename van de watertemperatuur.**
- 3. Als u nog heter water wilt, draai dan langzaam de watertoevoer verder dicht totdat het water de gewenste temperatuur bereikt heeft.**

WAARSCHUWING:

**DE UNIT IS IN STAAT OM ZEER HOGE
WATERTEMPERATUREN TE GENEREREN!**



NIET TERUGBRENGEN NAAR DE WINKEL: Indien u een probleem heeft, bel rechtstreeks met Eccotemp of een Internationale Distributeur (bladzijde 1)!

PROBLEMEN OPLOSSEN

Unit start niet – geen hoorbare klikken bij het inschakelen:

- a. Het eerste wat u moet controleren is de watertoevoer aan de “rechter”zijde van de unit. Als watertoevoer en -afvoer verwisseld zijn, werkt de unit niet. Watertoevoer is helemaal rechts, afvoer is in het midden.
- b. Controleer of de batterijen het nog doen en of ze in de juiste oriëntatie ingebracht zijn.
- c. De meest voorkomende reden dat de unit niet aan gaat is dat de waterdruk te laag is. De waterdruk moet minimaal 20 PSI / 1,3 bar continu zijn. Standaard waterleidingen zouden voldoende druk moeten geven. De meeste 12/18/120/240 pompen eveneens, als ze maar in staat zijn tenminste 30 PSI / 2 bar of meer te leveren.

AFSTELLING: Aan de onderzijde van de unit vindt u twee spleten in de behuizing waar voor- en achterzijde samenkomen. Bij de waterregelaar vindt u twee kruiskop schroeven. Draai de meest rechtse schroef (de grotere van de twee) $\frac{1}{4}$ of $\frac{1}{2}$ slag aan. Hierdoor kan de unit met een lagere waterdruk werken doordat de watertoevoer beperkt wordt.

LET OP: Bel eerste met technische klantenservice (bladzijde 1) voordat u de unit openmaakt.

e. Tijdens transport is inwendig een snoertje losgeraakt. Zorg dat het gas UIT staat. De voorste behuizing zit met zes schroeven vast; vier boven, twee onder. De knoppen zijn eenvoudig los te maken. Alle bedrading is uitgevoerd met plastic connectoren die alle zichtbaar zijn zonder dat u de unit verder hoeft open te maken. Een losgeraakte verbinding zou onmiddellijk zichtbaar moeten zijn.

f. Het kan zijn dat er vuil of epoxy in de waterregelaar terecht gekomen is. Controleer of het filter van de watertoevoer vrij is van vuil. U kunt ook de watertoevoer aansluiten op de **uitvoer** en op die manier het systeem van achter naar voren schoonspoelen.

g. Propaangas-flessen zijn soms vervuild met lucht, vooral als het nieuwe tanks betreft die voor het eerst gevuld zijn. Schakel het systeem enkele malen (5) aan en uit via de douchekop schakelaar om de lucht uit het gas te verwijderen.

Als een unit na 10 cycles nog steeds niet aan gaat of niet aan blijft, bel dan met technische klantenservice (bladzijde 1)

Unit gaat aan en dan weer uit:

a. De unit werkt alleen bij een toevoer van minimaal 2 liter per minuut en een minimale druk van 20 PSI/1,3 bar. Dit is een minimale vereiste, voor echt goed functioneren zou er een constante waterdruk moeten zijn van 40-60 PSI / 2,7-4,1 bar als u een 12/18/120/240 Volt pomp gebruikt. Zie ook INSTELLINGEN in het voorgaande hoofdstuk.

b. Harde wind

c. Te weinig gas. Propaangas-flessen zijn soms vervuild met lucht, vooral nieuwe tanks die voor de eerste keer gevuld zijn. Schakel de unit een aantal keren (5) aan en uit via de douchekop schakelaar om de lucht uit het gas te verwijderen.

Als alle lucht nu nog steeds niet weg is, moet de tank eerst gereinigd worden.

d. Eén van de ontstekingssensoren is verbogen en/of zit te dicht bij de brander. Controleer of de ontstekingssensoren en de hittedetector helemaal verticaal staan, onder een hoek van 90 graden met de achterzijde van de behuizing. Als ze niet recht staan, buig ze dan recht met een nijptang.

e. Het thermokoppel is óf te hoog óf te laag om het circuit te completeren. Controleer of het thermokoppel het gat in de warmtewisselaar dichtmaakt.

f. De bedrading van de gassensor (ziet eruit als een zwarte aarddraad aan de gasregelaar) kan losgekomen zijn.

g. Er is een kapotte hitte- of zuurstofsensor. Dit wordt gewoonlijk vastgesteld door de voorste behuizing van het systeem te halen en de unit dan aan te zetten. Als deze het blijft doen, moet een van de sensoren en/of de bedrading vervangen worden. Een andere oorzaak kan zijn dat de achterzijde van de unit, waar de meeste lucht door wordt aangezogen, verstopt is.

h. De klep van de propaangasfles moet helemaal "Open" staan.

i. Om de ontsteking te laten werken zijn goed werkende batterijen nodig. Zorg dat de batterijen in de juiste polariteit (+/-) aangebracht zijn.

Het water wordt niet heet genoeg:

a. U gebruikt het systeem op een hoogte boven 1820 meter. Weliswaar is het systeem getest tot op 2195 meter hoogte, maar wij raden gebruik boven 1820 meter hoogte af.

b. Kijk in de panelen (middelste horizontale venstertjes aan de voorkant) om te zien of er een blauwe vlam is. Als de vlam geel is kan er een scheur in de gasregelaar zijn. Gebruik de unit niet en bel onmiddellijk met Eccotemp.

Er gaat water in, maar er komt geen heet water uit:

- a. Controleer of de watertoevoer en -afvoer goed aangesloten zijn. De watertoevoer moet aan de ingangsverbinding (meest rechtse verbinding) aangesloten zijn, en de douchekop moet aangesloten worden aan de wateruitvoer (middelste verbinding).
- b. Zorg voor voldoende waterdruk, ten minste 20 PSI / 1,3 bar continu.
- c. Zorg dat er voldoende gas in de propaantank aanwezig is, en dat de LPG drukregelaar goed aan de fles bevestigd is.
- d. Om de ontsteking te laten werken zijn goed werkende batterijen nodig. Zorg dat de batterijen in de juiste polariteit (+/-) aangebracht zijn.

Als u nog steeds problemen heeft, of een afwijkend watersysteem heeft, bel dan met technische klantenservice (bladzijde 1).

De unit doet het niet:

- a. Zorg dat de watertoevoer is aangesloten op de waterinvoer (meest rechtse verbinding) en de douchekop op de wateruitvoer (middelste verbinding).
- b. Zorg voor een voldoende hoeveelheid propaangas.
- c. Zorg dat u goed werkende batterijen heeft.

Als u nog steeds problemen heeft, of een afwijkend watersysteem heeft, bel dan met technische klantenservice (bladzijde 1).

Andere Producten:

L5: De L5 is een kleinere uitvoering van de L10. Deze aan de bovenkant geventileerde buiten-unit levert maximaal 5 liter per minuut en temperaturen tot 65 graden Celsius. De ideale keuze voor verplaatsbaar heet water systeem.



40-H Buiten-geiser op LPG of aardgas voor het hele huis. Met (GAMA gecertificeerd) 25 liter/minuut is het de ideale keuze voor een standaard woning met 3 slaapkamers en 2 badkamers. Omdat de geiser buiten gemonteerd wordt, hoeven geen extra afvoerpijpen voor ventilatie aangeschaft te worden.



40-HI: Binnen-geiser op LPG of aardgas voor het hele huis. Het is een binnenversie van de 40-H, en een ideale keuze voor een standaard woning met 3 slaapkamers en 2 badkamers. De in-huis installatie maakt het een goede vervanger voor uw oude, inefficiënte boiler-met-tank.



FV112: Binnen-geiser op LPG of aardgas. Deze fraai en modern ontworpen boiler is ideaal voor woningen met 1 badkamer, hutten en schuren. Dit systeem heeft een 120V elektrische ontsteking en ventilatie, en wordt geleverd met een horizontale afvoerkit voor snelle en moeiteloze installatie.



Bezoek onze website www.eccotemp.com

Bel ons op (866) 356.1992

Fax ons op (843) 875.4230

Email ons op info@eccotemp.com

Internationale Distributeurs

Verenigd Koninkrijk:

Abbas Cabins

+44 01202 590008 Telefoon

+44 01202 331963 Fax

abbascabins@eccotemp.com

Duitsland/Nederland:

KIIP

Telefoon: +0031 229582915

kiip@eccotemp.com

EccoTemp Systems, LLC

315-A Industrial Road
Summerville, SC 29483

Telefoon (866) 356.1992

www.eccotemp.com

info@eccotemp.com