

CHARCOAL SMOKER AHUMADOR A CARBÓN

Heavy-Duty Charcoal/Wood Smoker Grill

Ahumador de Carbón o Madera con Parrilla de Uso Fuerte

OWNER'S MANUAL / MANUAL DEL PROPIETARIO

ASSEMBLY AND OPERATING INSTRUCTIONS
INSTRUCCIONES DE ARMADO Y OPERACIÓN

SAVE THIS MANUAL FOR FUTURE REFERENCE
GUARDE ESTE MANUAL PARA REFERENCIA FUTURA

WARNING/ADVERTENCIA

HAZARDOUS EXPLOSION MAY RESULT IF THESE WARNINGS AND INSTRUCTIONS ARE IGNORED. READ AND FOLLOW ALL WARNINGS AND INSTRUCTIONS IN THIS MANUAL TO AVOID PERSONAL INJURY, INCLUDING DEATH OR PROPERTY DAMAGE.

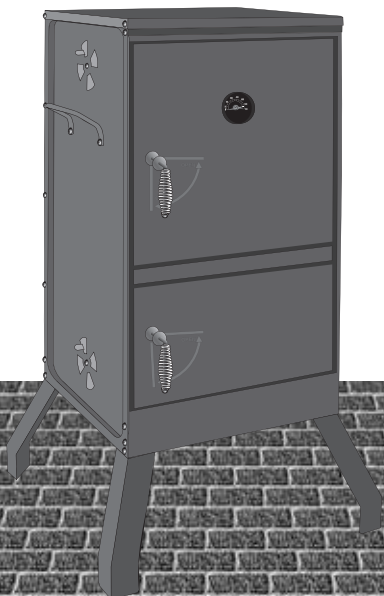
SE PUEDE PRODUCIR UNA EXPLOSIÓN PELIGROSA SI SE HACE CASO OMISO A ESTAS ADVERTENCIAS E INSTRUCCIONES. LEA Y SIGA TODAS LAS ADVERTENCIAS E INSTRUCCIONES EN ESTE MANUAL PARA EVITAR LESIONES PERSONALES, INCLUSO LA MUERTE, O LOS DAÑOS MATERIALES.

NOTICE TO INSTALLER:

LEAVE THESE INSTRUCTIONS WITH THE GRILL OWNER FOR FUTURE REFERENCE.

AVISO PARA EL INSTALADOR:

ENTREGUE ESTAS INSTRUCCIONES AL PROPIETARIO DE LA PARRILLA PARA REFERENCIA FUTURA.



IMPORTANT SAFETY WARNINGS

WE WANT YOU TO ASSEMBLE AND USE YOUR SMOKER AS SAFELY AS POSSIBLE.

THE PURPOSE OF THIS SAFETY ALERT SYMBOL 

IS TO ATTRACT YOUR ATTENTION TO POSSIBLE HAZARDS AS YOU ASSEMBLE AND USE YOUR SMOKER.

WHEN YOU SEE THE SAFETY ALERT SYMBOL, PAY CLOSE ATTENTION TO THE INFORMATION WHICH FOLLOWS!

 **READ ALL SAFETY WARNINGS AND INSTRUCTIONS CAREFULLY
BEFORE ASSEMBLING AND OPERATING YOUR SMOKER.**

WARNING

- Only use this smoker on a hard, level, non-combustible, stable surface (concrete, ground, etc.) capable of supporting the weight of the smoker. Never use on wooden or other surfaces that could burn.
- Proper clearance of 10 feet between the smoker and combustible material (bushes, trees, wooden decks, fences, buildings, etc.) or construction should be maintained at all times when smoker is in use. Do not place smoker under a roof overhang or other enclosed area.
- FOR OUTDOOR USE ONLY. Do not operate smoker indoors or in an enclosed area.
- For household use only. Do not use this smoker for other than its intended purpose.
- We recommend the use of a Charcoal Chimney Starter to avoid the dangers associated with charcoal lighting fluid. If you choose to use charcoal lighting fluid, only use lighting fluid approved for lighting charcoal. Carefully read manufacturer's warnings and instructions on the charcoal lighting fluid and charcoal prior to the use of their product. Store charcoal lighting fluid safely away from smoker.
- When using charcoal lighting fluid, allow charcoal to burn with smoker box door open until covered with a light ash (approximately 20 minutes). This will allow charcoal lighting fluid to burn off. Failure to do this could trap fumes from charcoal lighting fluid in smoker and may result in a flash fire or explosion when smoker box door is opened.
- Never use charcoal that has been pre-treated with lighter fluid. Use only a high grade plain charcoal or charcoal/wood mixture.
- Do not use gasoline, kerosene or alcohol for lighting charcoal. Use of any of these or similar products could cause an explosion possibly leading to severe bodily injury.
- Never add charcoal lighting fluid to hot or even warm coals as flashback may occur causing severe burns.
- Place smoker in an area where children and pets cannot come into contact with unit. Close supervision is necessary when smoker is in use.
- Do not leave smoker unattended when in use.
- When adding charcoal and/or wood, use extreme caution and follow instructions in "Adding Charcoal/Wood During Cooking" section of this manual.
- To avoid overturning/spilling pan of hot liquid, never pull water pan bracket out more than 4". Refer to the illustration in "Adding Water During Cooking" section of this manual.
- Do not store or use smoker near gasoline or other flammable liquids, gases or where flammable vapors may be present.

WARNING

- Smoker is hot when in use. To avoid burns:
 - DO NOT attempt to move the smoker.
 - Wear protective gloves or oven mitts.
 - DO NOT touch any hot smoker surfaces.
 - DO NOT wear loose clothing or allow hair to come in contact with smoker.
- Use caution since flames can flare-up when fresh air suddenly comes in contact with fire. When opening the door, keep hands, face and body a safe distance from hot steam and flame flare-ups.
- Do not allow charcoal and/or wood to rest on the walls of smoker. Doing so will greatly reduce the life of the metal and finish of you smoker.
- Use caution when assembling and operating your smoker to avoid scrapes or cuts from possible sharp edges of metal parts. Use caution when reaching into or under smoker.
- In windy weather, place smoker in an outdoor area that is protected from the wind.
- Never leave coals and ashes in smoker unattended. Before smoker can be left unattended, remaining coals and ashes must be removed from smoker. Use caution to protect yourself and property. Carefully place remaining coals and ashes in a non-combustible metal container and saturate completely with water. Allow coals and water to remain in metal container 24 hours prior to disposing.
- Extinguished coals and ashes should be placed a safe distance from all structures and combustible and flammable materials.
- With a garden hose, completely wet the surface beneath and around smoker to extinguish any ashes, coals or embers which may have fallen during the cooking or cleaning process.
- After each use and the smoker has cooled completely, clean the smoker thoroughly and reapply a light coat of oil to interior to prevent rusting. Cover the smoker to protect it from excessive rusting.
- Use caution when lifting or moving smoker to prevent strains and back injuries. Moving smoker may require the help of an additional person.
- We advise that a fire extinguisher be on hand. Refer to your local authority to determine proper size and type of fire extinguisher.
- Store the smoker out of reach of children and in a dry location when not in use.
- Properly dispose of all packaging material.

USE CAUTION AND COMMON SENSE WHEN OPERATING YOUR SMOKER.

**FAILURE TO ADHERE TO SAFETY WARNING AND GUIDELINES IN THIS MANUAL COULD RESULT
IN BODILY INJURY OR PROPERTY DAMAGE.**

SAVE THIS MANUAL FOR FUTURE REFERENCE.

ASSEMBLY INSTRUCTIONS

⚠ READ ALL SAFETY WARNINGS & ASSEMBLY INSTRUCTIONS CAREFULLY BEFORE ASSEMBLING OR OPERATING YOUR SMOKER.

Inspect contents of the box to ensure all parts are included and undamaged.

We recommend two people work together when assembling this unit.

The following tool is required to assemble this Vertical Smoker:

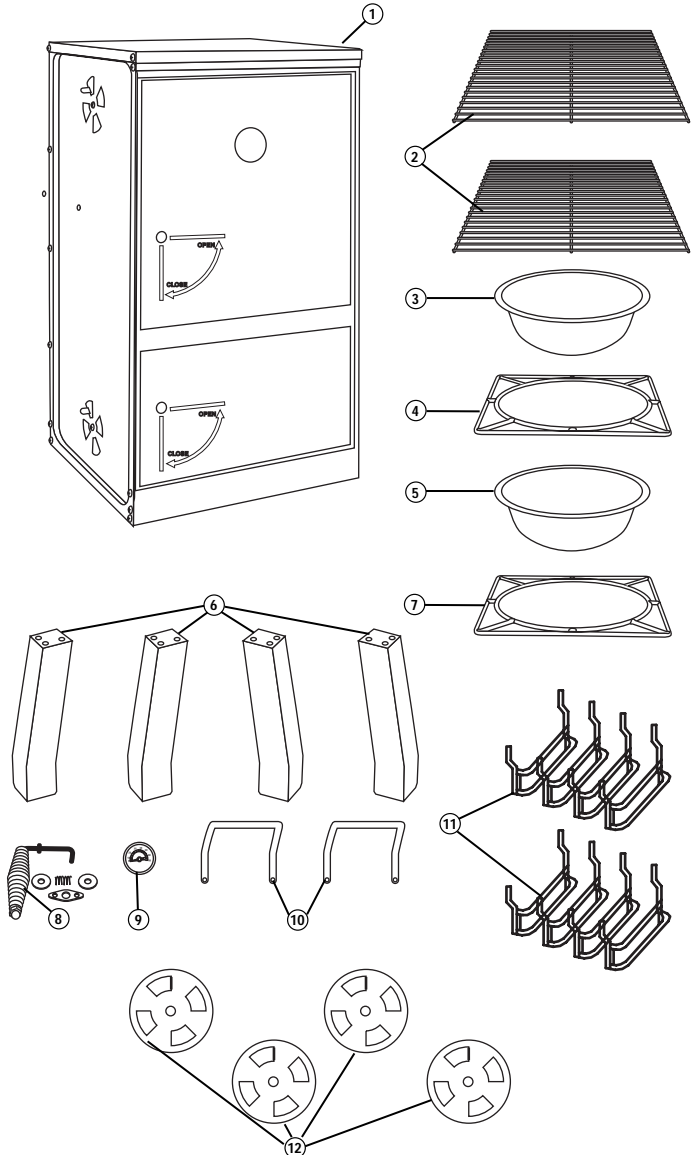
- Adjustable Wrench
- Phillips Screwdriver

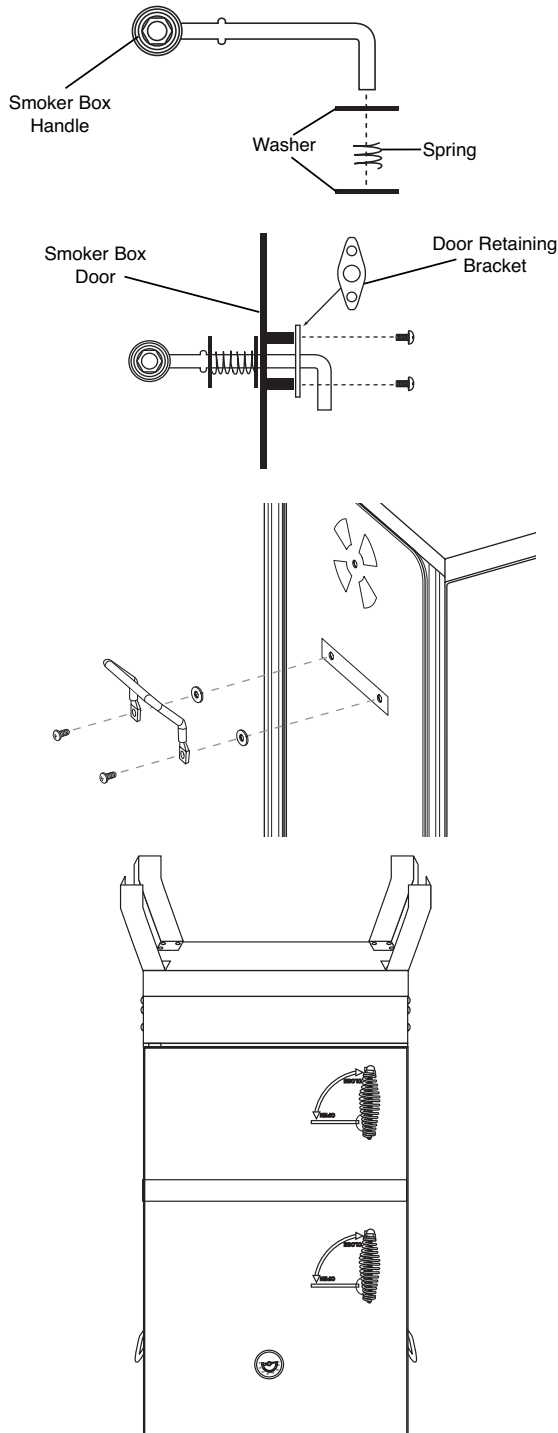
PARTS LIST - VERTICAL SMOKER:

- ① 1 Smoker box
- ② 2 Cooking grills
- ③ 1 Water pan
- ④ 1 Water pan bracket
- ⑤ 1 Charcoal pan
- ⑥ 4 Legs
- ⑦ 1 Charcoal pan bracket
- ⑧ 2 Door handles with springs, washers and door retaining brackets
- ⑨ 1 Temperature gauge
- ⑩ 2 Side handles
- ⑪ 8 Side rails
- ⑫ 4 Air vent dampers

PARTS BAG CONTAINS:

- 20 M6 X 16 mm Phillips head bolts
- 4 M5 X 16 mm Phillips head bolts
- 4 M6 nuts
- 4 Gaskets





Choose a good, cleared assembly area and get a friend to help you put your smoker together. Carefully remove all components from Smoker Box. Lay cardboard down to protect smoker finish and assembly area.

Step 1

Slide washers and spring onto latch end of handle as illustrated. Insert handle through hole in door and slide door retaining bracket over handle. Secure door retaining bracket using two M6 X 16 mm Phillips head bolts. Repeat for other door.

NOTE: Door handles must be pushed in while turning handles to "CLOSE" position.

Step 2

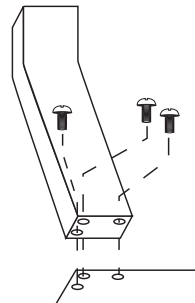
Insert two M5 X 16 mm bolts and gaskets from the outside and thread into holes in the side cabinet as illustrated. Tighten securely. Complete steps for both of the cabinet assembly.

WARNING: Use caution when lifting or moving smoker to prevent strains and back injuries. Moving smoker may require the help of an additional person.

NOTE: With the help of a friend, turn the smoker box upside down. Make sure door is securely latched to avoid injury.

Step 3

Attach legs to bottom of smoker using twelve M6 X 16 mm Phillips head bolts.

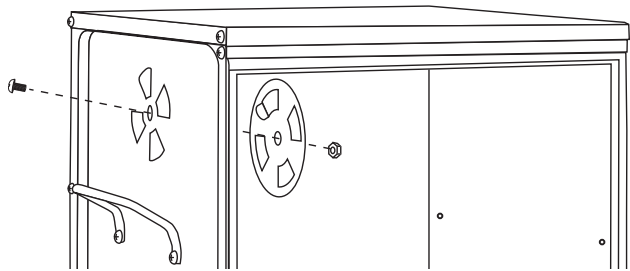


WARNING: Use caution when lifting or moving smoker to prevent strains and back injuries. Moving smoker may require the help of an additional person.

NOTE: With the help of a friend, turn the smoker box with legs to an upright position.

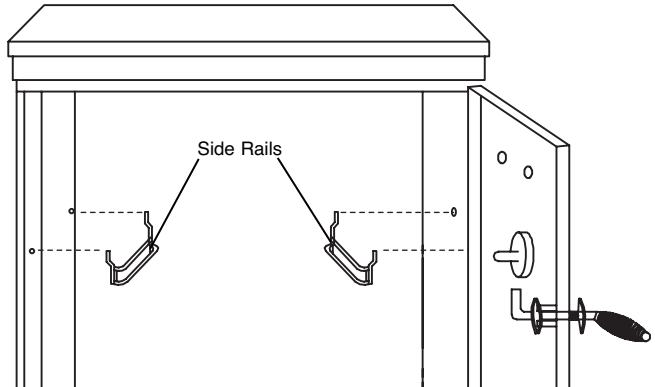
Step 4

Attach four air vent dampers to sides of smoker box using four M6 X 16 mm Phillips head bolts and M6 nuts.



Step 5

Insert eight side rails into smoker box sides. These will form the shelves for the cooking grills and water/charcoal pan brackets.



Step 6

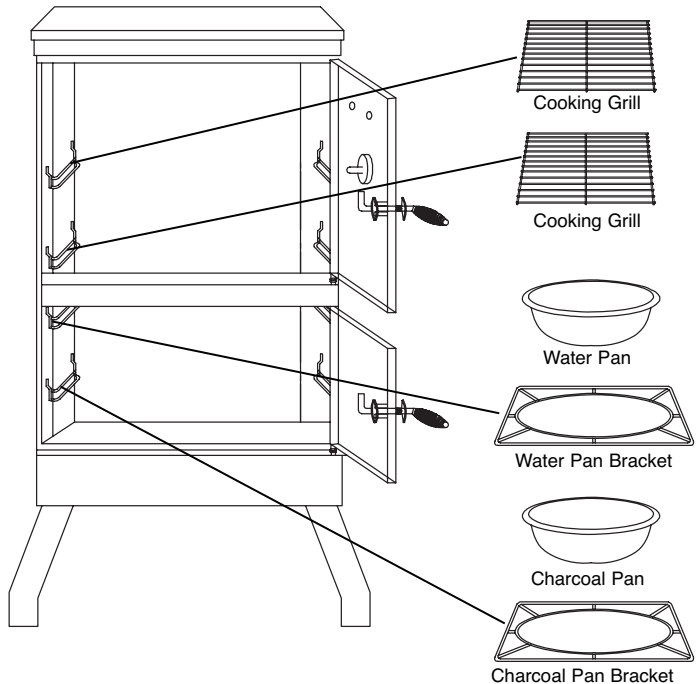
Place the charcoal pan into the charcoal pan bracket. Place the charcoal pan bracket onto the bottom shelves of the smoker box.

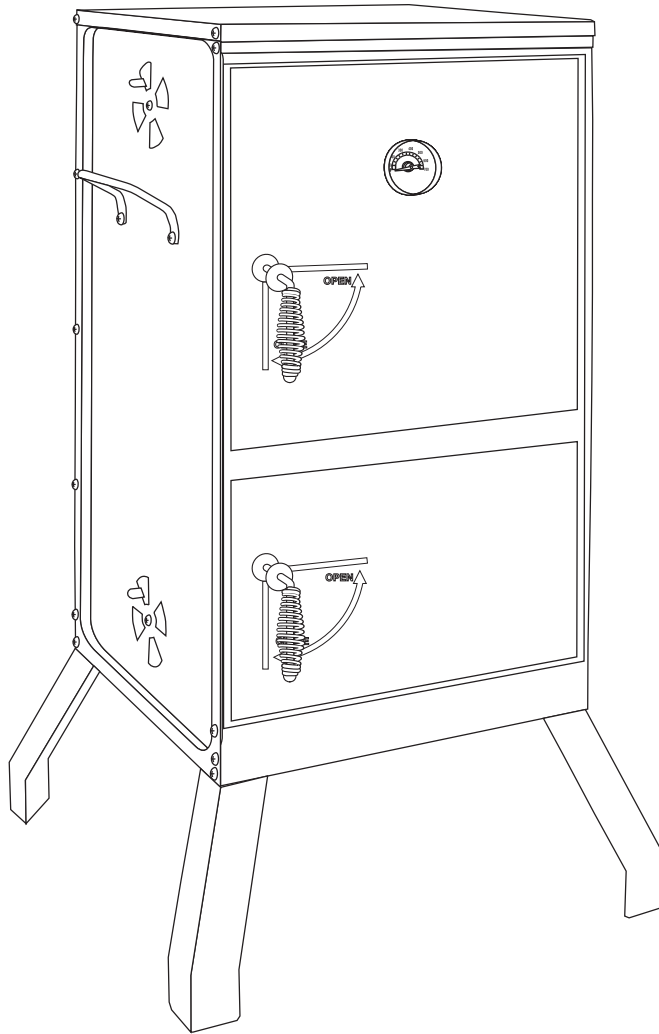
Step 7

Place the water pan into the water pan bracket. Place the water pan bracket onto the shelves above the charcoal pan.

Step 8


Place the cooking grills onto the two upper smoker box shelves.





Vertical Smoker (assembled)

PREPARATION FOR USE & LIGHTING INSTRUCTIONS

 **PLACE THE SMOKER OUTDOORS ON A HARD, LEVEL, NON-COMBUSTIBLE SURFACE AWAY FROM ROOF OVERHANG OR ANY COMBUSTIBLE MATERIAL. NEVER USE ON WOODEN OR OTHER SURFACES THAT COULD BURN. PLACE THE SMOKER AWAY FROM OPEN WINDOWS OR DOORS TO PREVENT SMOKE FROM ENTERING YOUR HOUSE. IN WINDY WEATHER, PLACE THE SMOKER IN AN OUTDOOR AREA THAT IS PROTECTED FROM THE WIND.**

 **READ ALL SAFETY WARNINGS AND INSTRUCTIONS CAREFULLY BEFORE OPERATING YOUR SMOKER.**

Curing Your Smoker

Prior to your first use of the Vertical Smoker, follow the instructions below carefully to cure your smoker. Curing your smoker will minimize damage to the exterior finish as well as rid the smoker of paint odor that can impart unnatural flavors to the first meal prepared on your Vertical Smoker.


IMPORTANT: To protect your smoker from excessive rust, the unit must be properly cured and covered at all times when not in use.

Step 1

Remove water pan from smoker. Lightly coat all interior surfaces of the Vertical Smoker including cooking grills with vegetable oil or vegetable oil spray. Do not coat charcoal pan.

Step 2

Follow the instructions below carefully to build a fire. You may use charcoal and/or a charcoal/wood mixture as fuel in the Vertical Smoker (see "Adding Charcoal/Wood During Cooking" section of this manual).

 **WARNING:** Never use charcoal that has been pre-treated with lighter fluid. Use only a high grade plain charcoal or charcoal/wood mixture.

If using a Charcoal Chimney Starter, follow all manufacturer's warnings and instructions regarding the use of their product. You will need to remove the lower cooking grills to allow enough clearance for a Charcoal Chimney Starter. Start with 5 to 6 pounds of charcoal. This should be enough charcoal to cook with, once the curing process has been completed. When charcoal is burning strong, carefully place hot coals in center of charcoal pan then replace cooking grills.

NOTE: To extend the life of your smoker, make sure that hot coals and wood do not touch the walls of smoker.

IF USING CHARCOAL CHIMNEY STARTER, PROCEED TO STEP 5

If you choose to use charcoal lighting fluid, **ONLY** use charcoal lighting fluid approved for lighting charcoal. Do not use gasoline, kerosene, alcohol or other flammable material for lighting charcoal. Follow all manufacturer's warnings and instructions regarding the use of their product. Start with 5 to 6 pounds of charcoal. This should be enough charcoal to cook with, once the curing process has been completed. Place the charcoal in center of charcoal pan.

Step 3

Saturate charcoal with lighting fluid. With smoker box door open wait 2 to 3 minutes to allow lighting fluid to soak into charcoal. Store charcoal lighting fluid safely away from the smoker.

Step 4

With smoker box door open, stand back and carefully light charcoal. Allow to burn until covered with a light ash (approximately 20 minutes).



WARNING: Charcoal lighting fluid must be allowed to completely burn off prior to closing smoker box door (approximately 20 minutes). Failure to do this could trap fumes from charcoal lighting fluid in smoker box and may result in a flash-fire or explosion when door is opened.

Step 5

With coals burning strong, close the smoker box door. Allow the charcoal to burn uninterrupted for 2 hours.

Step 6

Increase the temperature on the heat indicator. This can be achieved by adjusting the air vent dampers or by adding more charcoal and/or charcoal/wood mixture (see "Adding Charcoal/Wood During Cooking" section of this manual). Maintain the fire for 1 hour then allow unit to cool completely.

NOTE: It is important that the exterior of the smoker is not scraped or rubbed during the curing process.

IMPORTANT: To protect your smoker from excessive rust, the unit must be cured periodically and covered at all times when not in use.

OPERATING INSTRUCTIONS

⚠️ PLACE THE SMOKER OUTDOORS ON A HARD, LEVEL, NON-COMBUSTIBLE SURFACE AWAY FROM ROOF OVERHANG OR ANY COMBUSTIBLE MATERIAL. NEVER USE ON WOODEN OR OTHER SURFACES THAT COULD BURN. PLACE THE SMOKER AWAY FROM OPEN WINDOWS OR DOORS TO PREVENT SMOKE FROM ENTERING YOUR HOUSE. IN WINDY WEATHER, PLACE THE SMOKER IN AN OUTDOOR AREA THAT IS PROTECTED FROM THE WIND.

⚠️ READ ALL SAFETY WARNINGS AND INSTRUCTIONS CAREFULLY BEFORE OPERATING YOUR SMOKER.

Smoking

Step 1

Remove water pan bracket and water pan from smoker. Follow instructions below carefully to build a fire. You may use charcoal and/or charcoal/wood mixture as fuel in the Vertical Smoker (see "Adding Charcoal/Wood During Cooking" section of this manual).

⚠️ WARNING: Never use charcoal that has been pre-treated with lighter fluid. Use only a high grade plain charcoal or charcoal/wood mixture.

If using a Charcoal Chimney Starter, follow all manufacturer's warnings and instructions regarding the use of their product. You will need to remove the lower cooking grills to allow enough clearance for a Charcoal Chimney Starter. Start with 5 to 6 pounds of charcoal. When charcoal is burning strong, carefully place hot coals in center of charcoal pan and replace cooking grills.

NOTE: To extend the life of your smoker, make sure that hot coals and wood do not touch the walls of smoker

IF USING CHARCOAL CHIMNEY STARTER, PROCEED TO STEP 4

If you choose to use charcoal lighting fluid, ONLY use charcoal lighting fluid approved for lighting charcoal. Do not use gasoline, kerosene, alcohol or other flammable material for lighting charcoal. Follow all manufacturer's warnings and instructions regarding the use of their product. Place 5 to 6 pounds of charcoal on charcoal pan.

Step 2

Saturate charcoal with lighting fluid. With smoker box door open wait 2 to 3 minutes to allow lighting fluid to soak into charcoal. Store charcoal lighting fluid safely away from the smoker.

Step 3

With smoker box door open, stand back and carefully light charcoal and allow to burn until covered with a light ash (approximately 20 minutes). Charcoal lighting fluid must be allowed to completely burn off prior to closing smoker box door.

⚠️ WARNING: Failure to do this could trap fumes from charcoal lighting fluid in smoker box and may result in a flash-fire or explosion when door is opened.

Step 4

With coals burning well, carefully add wood chunks using long cooking tongs (see "Flavoring Wood" and "Adding Charcoal/Wood During Cooking" sections of this manual.)

NOTE: Depending on the weather, a full pan of charcoal will burn for 5-6 hours.

Step 5

Replace the water pan bracket and water pan.

WARNING: To avoid overturning/spilling pan of hot liquid, never pull water pan bracket out more than 4". Refer to the illustration in "Adding Water During Cooking" section of this manual.

Step 6

Carefully fill the water pan with warm water or marinade to 1" below the rim. A full pan holds 4 quarts / 1 gallon of water and will last 2-3 hours. Do not overfill and allow water to overflow from water pan.

Step 7

Place food on the cooking grills in a single layer with space between each piece. This will allow smoke and moist heat to circulate evenly around all pieces. Close smoker box door.

Step 8

After 2-3 hours of cooking, check water and charcoal levels by following instructions in the "Adding Water During Cooking and Adding Charcoal/Wood During Cooking" sections of this manual.

WARNING: Do not allow liquid in water pan to completely evaporate. Always keep water in water pan as long as coals are still burning. Water will evaporate and grease in water pan can catch on fire.

Step 9

The ideal smoking temperature is between 175°F and 250°F. For large cuts of meat, allow approximately one hour of cooking time per pound of meat. **Always use a meat thermometer to ensure food is fully cooked before removing from smoker.**

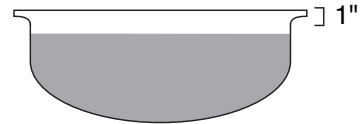
Step 10

Allow smoker to cool completely, then follow instructions in the "After-Use Safety" and "Proper Care & Maintenance" sections of this manual.

During the smoking process, avoid the temptation to open smoker box door to check food. Opening the door allows heat and smoke to escape, making additional cooking time necessary.

Food closest to the charcoal will cook and brown faster. Rotate food midway through the cooking cycle. If food is excessively browned or flavored with smoke, wrap food in aluminum foil after the first few hours of smoking. This will allow food to continue cooking without further browning or smoke flavoring.

CAUTION: Always use oven mitts/gloves to protect your hands. Liquid in water pan will be extremely hot and can scald or burn. Always allow liquid to cool completely before handling. Do not allow liquid to completely evaporate from water pan.



Smoke Cooking Tips

Flavoring Wood



To obtain your favorite smoke flavor, experiment by using chunks, sticks or chips of flavor producing wood such as hickory, pecan, apple, cherry, or mesquite. Most fruit or nut tree wood may be used for smoke flavoring. Do not use resinous wood such as pine as it will produce an unpleasant taste.

Wood chunks or sticks 3" to 4" long and 1" to 2" thick work best. Unless the wood is still green, soak the wood in water for 30 minutes or wrap each piece in foil and tear several small holes in the foil to produce more smoke and prevent the wood from burning too quickly. A lot of wood is not required to obtain a good smoke flavor. A recommended amount for the Vertical Smoker is 5 to 6 wood chunks or sticks. Experiment by using more wood for stronger smoke flavor or less wood for milder smoke flavor.

Additional flavoring wood should not have to be added during the cooking process. However, it may be necessary when cooking very large pieces of food. Follow instructions and cautions in the "Adding Charcoal/Wood During Cooking" section of this manual to avoid injury while adding wood.

Regulating Heat

To maintain or increase temperature, fully open air vent dampers on sides of smoker box. If increased air circulation does not raise the temperature sufficiently, more wood and/or charcoal may need to be added during the cooking cycle. Follow instructions in "Adding Charcoal/Wood During Cooking" section of this manual.

NOTE: Dry wood burns hotter than charcoal, so you may want to increase the ratio of wood to charcoal to increase the cooking temperature. Hardwood such as oak, hickory, mesquite, fruit and nut wood are an excellent fuel because of their burning rate. When using wood as fuel, make sure the wood is seasoned and dry. **DO NOT** use resinous wood such as pine as it will produce an unpleasant taste.

Check the water level in water pan if the complete cooking process takes longer than 2 hours. A low water level can be detected by listening for the sound of water sizzling. Water can be added to the water pan through the smoker box door. Use caution and follow instructions carefully.

WARNING: Use caution since flames can flare-up when fresh air suddenly comes in contact with fire. When opening the door, keep hands, face and body a safe distance from hot steam and flame flare-ups.

Step 1

Stand back and carefully open smoker box door allowing heat and steam to escape away from your face. Use caution since flames can flare-up when fresh air suddenly comes in contact with fire. Inspect the water level in pan.

WARNING: To avoid overturning/spilling pan of hot liquid, never pull water pan bracket out more than 4". (See illustration)

Step 2

If water level is low, extra water or marinade will need to be added to water pan. Wearing oven mitts/gloves, slide out water pan bracket no more than 4".

Step 3

Fill water pan to 1" below the rim. Pour slowly to avoid splashing or over-filling.

Step 4

Carefully slide water pan bracket in completely, close smoker box door and allow food to continue cooking.

Additional charcoal and/or wood may be required to maintain or increase cooking temperature.

WARNING: Use caution since flames can flare-up when fresh air suddenly comes in contact with fire. When opening the door, keep hands, face and body a safe distance from hot steam and flame flare-ups.

Step 1

Stand back and carefully open smoker box door allowing heat and steam to escape away from your face. Use caution since flames can flare-up when fresh air suddenly comes in contact with fire. Inspect the charcoal level in pan.

Step 2

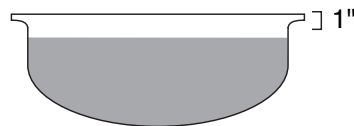
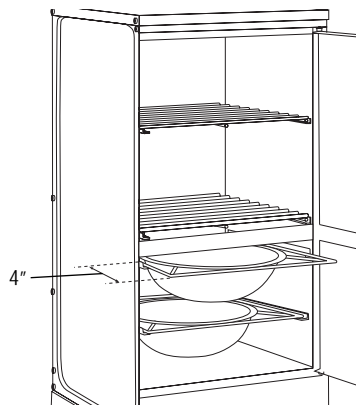
Wearing oven mitts/gloves, stand back a safe distance and use long cooking tongs to lightly brush aside ashes on hot coals. Use cooking tongs to add charcoal and/or wood to charcoal pan, being careful not to stir-up ashes and sparks. If necessary, use your Charcoal Chimney Starter to light additional charcoal and/or wood and add to existing fire.

WARNING: Never add charcoal lighting fluid to hot or even warm coals as flashback may occur causing severe burns.

Step 3

Close smoker box door and allow food to continue cooking.

Adding Water During Cooking



Adding Charcoal/Wood During Cooking

AFTER-USE SAFETY


WARNING

- Always allow smoker and all components to cool completely before handling.
- Never leave coals and ashes in smoker unattended. Make sure coals and ashes are completely extinguished before removing.
- Before smoker can be left unattended, remaining coals and ashes must be removed from smoker. Use caution to protect yourself and property. Place remaining coals and ashes in a non-combustible metal container and completely saturate with water. Allow coals and water to remain in metal container 24 hours prior to disposing.
- Extinguished coals and ashes should be placed a safe distance from all structures and combustible materials.
- With a garden hose, completely wet surface beneath and around the smoker to extinguish any ashes, coals or embers which may have fallen during the cooking or cleaning process.
- Cover and store smoker in a protected area away from children and pets.

Proper Care & Maintenance

- Cure your smoker periodically throughout the year to protect against excessive rust.
- To protect your smoker from excessive rust, the unit must be properly cured and covered at all times when not in use.
- Wash cooking grills and water pan with hot, soapy water, rinse well and dry. Lightly coat grills with vegetable oil or vegetable oil spray.
- Clean inside and outside of smoker by wiping off with a damp cloth. Apply a light coat of vegetable oil or vegetable oil spray to the interior surface to prevent rusting. Do not coat charcoal pan.
- If rust appears on the exterior surface of your smoker, clean and buff the affected area with steel wool or fine grit emery cloth. Touch-up with a good quality high-temperature resistant paint.
- Never apply paint to the interior surface. Rust spots on the interior surface can be buffed, cleaned, then lightly coated with vegetable oil or vegetable oil spray to minimize rusting.

ADVERTENCIAS IMPORTANTES DE SEGURIDAD

QUEREMOS QUE USTED ENSAMBLE Y UTILICE SU AHUMADOR DE LA MANERA MÁS SEGURA POSIBLE. LA FINALIDAD DE ESTE SÍMBOLO  DE ALERTA DE SEGURIDAD ES ATRAER SU ATENCIÓN A LOS POSIBLES RIESGOS INHERENTES EN EL ENSAMBLADO Y USO DE SU AHUMADOR. CUANDO VEA EL SÍMBOLO DE ALERTA DE SEGURIDAD, ¡LEA DETENIDAMENTE LA INFORMACIÓN QUE SIGUE!

 LEA CUIDADOSAMENTE TODAS LAS ADVERTENCIAS E INSTRUCCIONES DE SEGURIDAD ANTES DE ENSAMBLAR Y UTILIZAR SU AHUMADOR.

ADVERTENCIA

- Utilice este ahumador solo sobre una superficie estable dura, nivelada, no combustible (concreto, piso, etc.) capaz de aguantar el peso del ahumador. Nunca lo utilice sobre superficies de madera o de otro tipo que podrían quemarse.
- Tiene que haber un espacio de 10 pies (3.3 m) entre el ahumador y materiales combustibles (arbustos, árboles, terrazas de madera, cercas, edificios, etc.) o una construcción en todo momento en que el ahumador está en uso. No coloque el ahumador debajo del voladizo de un techo u otro lugar cerrado.
- PARA USO EXTERNO ÚNICAMENTE. No debe operarse en interiores o en una zona cerrada.
- Para uso casero solamente. No utilice este ahumador para otra finalidad que no sea la indicada.
- Recomendamos el uso del encendedor de chimenea de carbón para evitar el peligro que acarrea el líquido encendedor de carbón. Si decide usar este líquido, use sólo aquel aprobado para encender carbón. Lea detenidamente las advertencias e instrucciones del fabricante del líquido encendedor de carbón antes de usar ese producto. Almacene el líquido encendedor de carbón a buena distancia del ahumador.
- Al usar líquido encendedor de carbón, deje que el carbón se queme con la puerta de la caja del ahumador abierta hasta que esté cubierto ligeramente por ceniza (aproximadamente 20 minutos). Así, el líquido encendedor de carbón se habrá consumido totalmente. Si no lo hace, los gases de la combustión del líquido encendedor de carbón podrían quedar atrapados en el ahumador y causar una explosión o un incendio repentino cuando se abra la puerta de la caja del ahumador.
- Nunca emplee carbón al cual se ha añadido previamente líquido encendedor. Use sólo carbón común y corriente de buena calidad o una mezcla de carbón y madera.
- No utilice gasolina, queroseno o alcohol para encender el carbón. El empleo de uno de estos productos o uno similar podría causar una explosión con posibles lesiones graves a la persona.
- Nunca añada líquido encendedor de carbón que ya está caliente porque puede ocurrir un retroceso de la llama que causaría quemaduras graves.
- Coloque el ahumador en una zona no accesible para niños y mascotas. La supervisión estricta es necesaria cuando se está usando el ahumador.
- No deje el ahumador desatendido durante el uso.
- Añada carbón y/o leña con suma precaución y siga las instrucciones de la sección "Cómo añadir carbón o leña durante el cocimiento" de este manual.
- Para evitar que se voltee o derrame el líquido caliente de la bandeja, nunca jale el soporte de la bandeja de agua más de 4" (10 cm). Vea la ilustración de la sección "Cómo añadir carbón o leña durante el cocimiento" de este manual.
- No almacene o utilice el ahumador cerca de gasolina u otros líquidos inflamables, gases o donde se encuentren vapores inflamables.

ADVERTENCIA

- El ahumador está caliente al usarse. Para evitar quemaduras:
 - NO intente mover el ahumador.
 - Póngase guantes protectores o guantes gruesos para el horno.
 - NO toque ninguna superficie caliente del ahumador.
 - NO se ponga ropa suelta y cuídese de que su pelo no toque el ahumador.
- Tenga precaución ya que las llamas pueden crecer súbitamente cuando aire fresco hace contacto con el fuego. Al abrir la puerta, mantenga sus manos, cara y cuerpo a una distancia segura del vapor caliente y las llamas crecidas.
- No permita que carbón o leña permanezcan en las paredes del ahumador ya que disminuirían mucho la vida útil del metal y afectarían el acabado de su ahumador.
- Tenga precaución al ensamblar y utilizar su ahumador para que no se raspe o corte en los posibles bordes filosos de las piezas metálicas. Tenga precaución al alcanzar algo dentro o debajo del ahumador.
- Cuando haya viento, coloque el ahumador en un lugar externo protegido del viento.
- Nunca deje carbón y ceniza en el ahumador sin que alguien esté presente. Antes de dejar al ahumador desatendido, debe sacar el carbón y la ceniza sobrantes del ahumador. Tenga precaución para proteger su persona y propiedad. Con cuidado, coloque el carbón y la ceniza que sobraron en un recipiente metálico no combustible y llénelo completamente con agua. Deje el carbón y la ceniza en el recipiente metálico por 24 horas antes de tirarlos.
- El carbón y la ceniza que se extinguieron deben ponerse a una buena distancia de toda estructura y materiales combustibles e inflamables.
- Con una manguera de jardín, moje totalmente la superficie debajo y alrededor del ahumador para extinguir toda ceniza, carbón o carbón ardiente que pudo haberse caído durante el cocimiento o la limpieza.
- Tras cada uso, y una vez que el ahumador se haya enfriado completamente, límpielo muy bien y vuelva a aplicar una capa de aceite al interior para evitar su oxidación. Cubra el ahumador para protegerlo de oxidación excesiva.
- Tenga precaución al levantar o mover el ahumador para que no se tuerza ni lesione su espalda. Quizá necesite la ayuda de otra persona para mover el ahumador.
- Recomendamos tener a la mano un extintor. Consulte con las autoridades locales correspondientes para saber el tamaño y tipo indicado de extintor.
- Guarde su ahumador lejos del alcance de los niños y en un lugar seco cuando no lo use.
- Elimine debidamente todo material de empaque.

TENGA PRECAUCIÓN Y SENTIDO COMÚN AL OPERAR SU AHUMADOR.

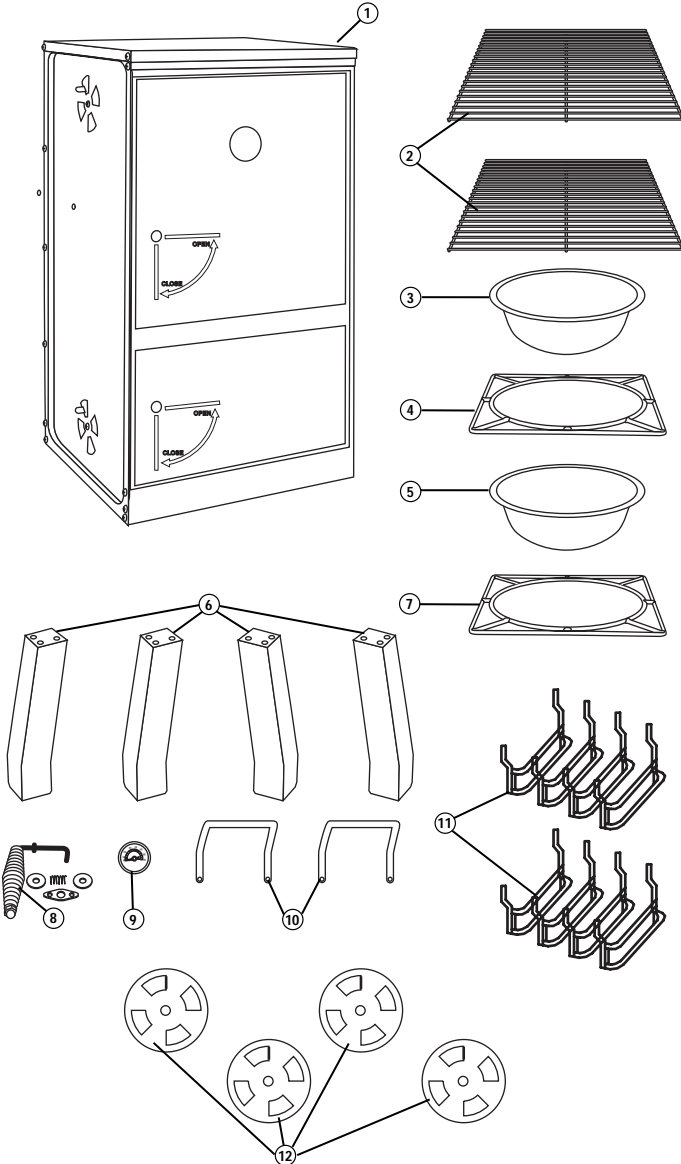
LA PERSONA QUE NO SIGA LAS DIRECTRICES Y ADVERTENCIAS DE SEGURIDAD DE ESTE MANUAL PODRÍA LESIONARSE GRAVEMENTE O TENER DAÑOS A LA PROPIEDAD.

GUARDE ESTE MANUAL PARA CONSULTARLO EN EL FUTURO.

INSTRUCCIONES DE ENSAMBLADO

⚠ LEA CUIDADOSAMENTE TODAS LAS ADVERTENCIAS DE SEGURIDAD E INSTRUCCIONES DE ENSAMBLADO ANTES DE ENSAMBLAR Y UTILIZAR SU AHUMADOR.

Inspeccione el contenido de la caja para cerciorarse de que no falte ninguna pieza y todas estén intactas.



Recomendamos que dos personas ensamblen esta unidad conjuntamente. Se necesitan las siguientes herramientas para ensamblar este ahumador vertical:

- Llave de tuercas ajustable
- Destornillador Phillips

LISTA DE PIEZAS - AHUMADOR VERTICAL:

- ① 1 Caja del ahumador
- ② 2 Parrillas para cocinar
- ③ 1 Bandeja de agua
- ④ 1 Soporte de la bandeja de agua
- ⑤ 1 Bandeja para el carbón
- ⑥ 4 Patas
- ⑦ 1 Soporte de la bandeja para carbón
- ⑧ 2 Manijas de las puertas con resortes, arandelas y soportes retenedores de puertas
- ⑨ 1 Indicador de temperatura
- ⑩ 2 Manijas laterales
- ⑪ 8 Rieles laterales
- ⑫ 4 Amortiguadores de las ventilas de aire

LA BOLSA DE PIEZAS CONTIENE:

- 20 Pernos M6 x 16 mm cabeza Phillips
- 4 Pernos M5 x 16 mm cabeza Phillips
- 4 Tuercas M6
- 4 Juntas

Elija una zona buena y despejada para el ensamble y dígale a un amigo que le ayude a armar su ahumador. Con cuidado, saque todos los componentes de la caja del ahumador. Ponga un cartón debajo para proteger el acabado del ahumador y la zona del ensamblado.

Paso 1

Deslice las arandelas y el resorte al extremo con seguro de la manija como se ilustra. Introduzca la manija a través del orificio de la puerta y deslice el soporte retenedor de la puerta sobre la manija. Fije el soporte retenedor de la puerta con los dos pernos de cabeza Phillips M6 x 16 mm. Haga lo mismo con la otra puerta.

NOTA: Las manijas de las puertas deben empujarse mientras se gira la manija a la posición "CLOSE" (cerrar).

Paso 2

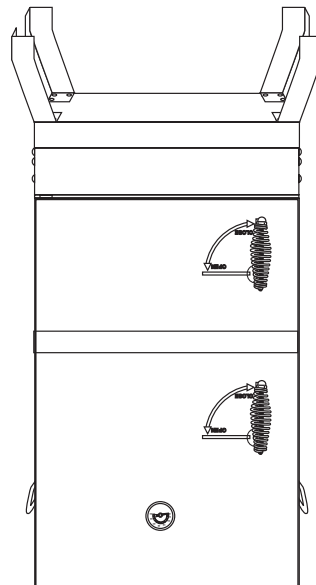
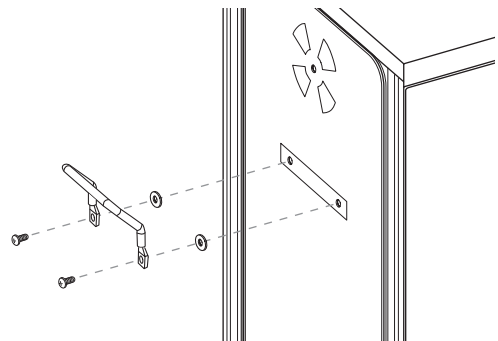
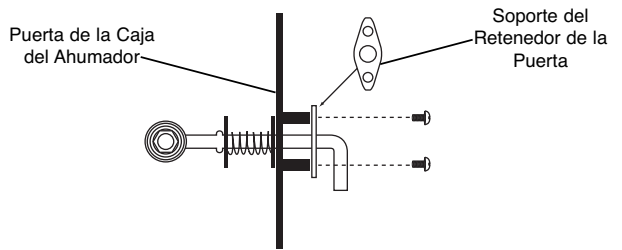
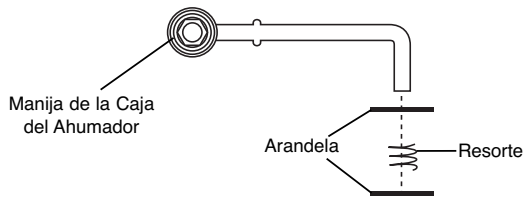
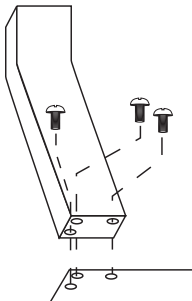
Inserte los dos pernos M5 x 16 mm y las juntas por afuera y rosca dentro de los agujeros en el gabinete lateral según lo ilustrado. Apriete con seguridad. Termine los pasos para ambos montaje del gabinete.

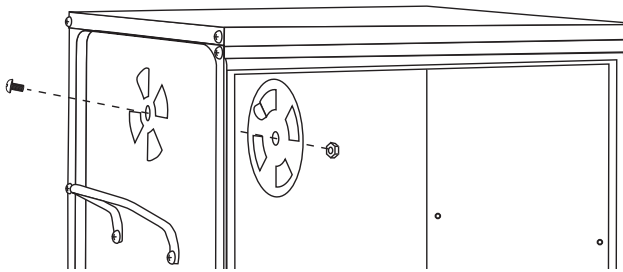
⚠️ ADVERTENCIA: Tenga precaución al levantar o mover el ahumador para que no se tuerza ni lesione su espalda. Quizá necesite la ayuda de otra persona para mover el ahumador.

NOTA: Voltee la caja del ahumador con la ayuda de otra persona. Asegúrese de que la puerta esté bien cerrada para que no se lesione.

Paso 3

Una las patas a la parte inferior del ahumador con doce pernos de cabeza Phillips M6 x 16 mm.



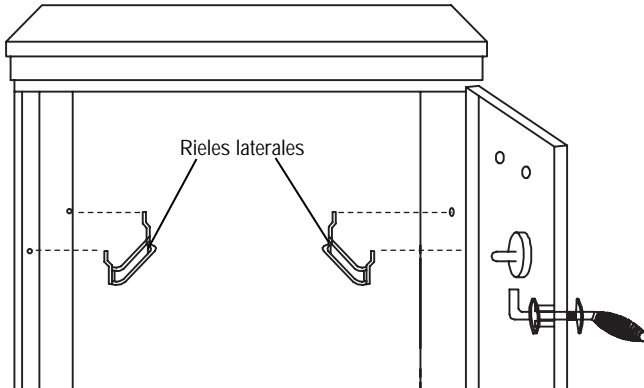


⚠ ADVERTENCIA: Tenga precaución al levantar o mover el ahumador para que no se tuerza ni lesione su espalda. Quizá necesite la ayuda de otra persona para mover el ahumador.

NOTA: Con la ayuda de un amigo, voltee la caja del ahumador con las patas a posición vertical.

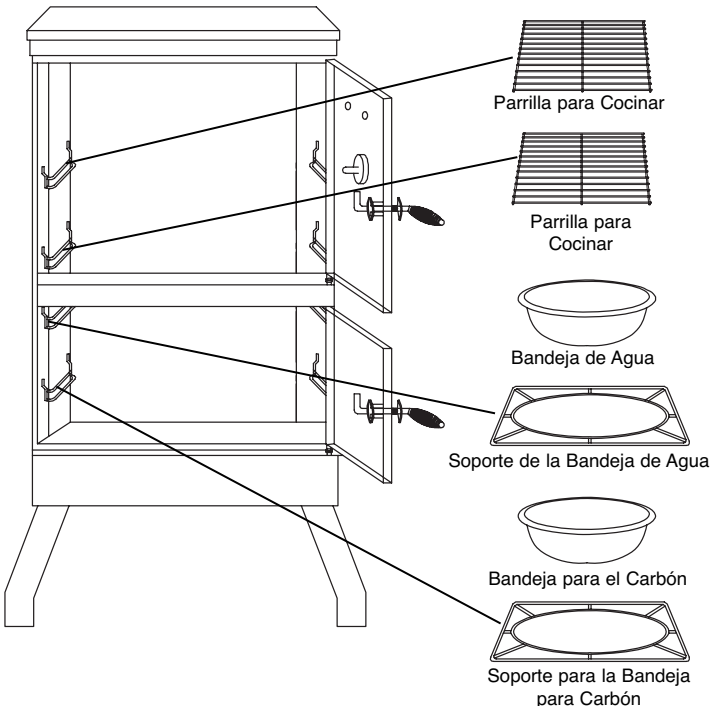
Paso 4

Una los cuatro amortiguadores de las ventilas de aire a los lados de la caja del ahumador con cuatro tuercas M6 y pernos M6 x 16 mm cabeza Phillips.



Paso 5

Introduzca los ocho rieles laterales a la caja del ahumador. Éstos serán los anaqueles de las parrillas para cocinar y los soportes de las bandejas para el agua o carbón.



Paso 6

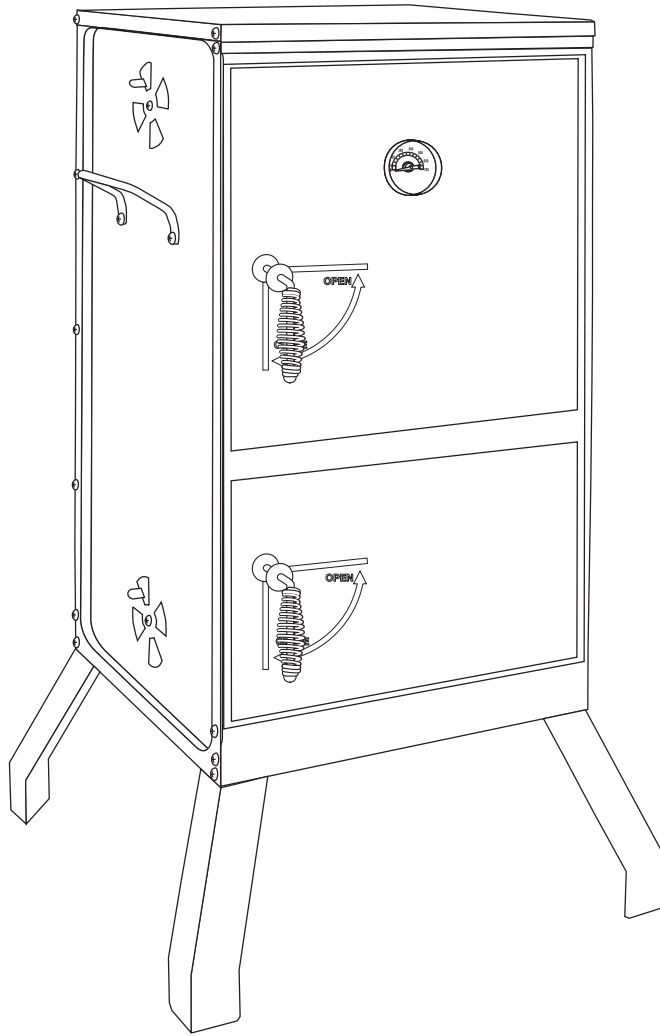
Coloque la bandeja para el carbón a su soporte correspondiente y este último a los anaqueles inferiores de la caja del ahumador.

Paso 7

Coloque la bandeja de agua a su soporte correspondiente y este último a los anaqueles encima de la bandeja para el carbón.

Paso 8

Coloque las parrillas para cocinar a los dos anaqueles superiores de la caja del ahumador.



Ahumador Vertical (ensamblado)

PREPARACIÓN PARA EL USO E INSTRUCCIONES DE ENCENDIDO

⚠ COLOQUE EL AHUMADOR EN EL EXTERIOR, SOBRE UNA SUPERFICIE DURA, NIVELADA Y NO COMBUSTIBLE, LEJOS DEL VOLADIZO DE UN TECHO O DE CUALQUIER MATERIAL COMBUSTIBLE. NUNCA LO PONGA SOBRE SUPERFICIES DE MADERA O DE OTRO TIPO QUE PUDIESEN QUEMARSE. ALEJE EL AHUMADOR DE PUERTAS O VENTANAS ABIERTAS PARA QUE EL HUMO NO ENTRE A LA CASA. CUANDO HAGA VIENTO, COLOQUE EL AHUMADOR EN UN LUGAR EXTERNO PROTEGIDO DEL VIENTO.

⚠ LEA DETENIDAMENTE TODAS LAS ADVERTENCIAS E INSTRUCCIONES DE SEGURIDAD ANTES DE UTILIZAR SU AHUMADOR.

Antes de utilizar su ahumador vertical por primera vez, siga detenidamente las instrucciones dadas a continuación para curar su ahumador porque la curación minimizará daños al acabado de la superficie y además le quitará al ahumador el olor a pintura para evitar que la primera comida preparada en su ahumador vertical no tenga un sabor no natural.

IMPORTANTE: Para proteger su ahumador de oxidación excesiva, debe curar debidamente la unidad y mantenerla cubierta en todo momento cuando no la use.

Paso 1

Saque la bandeja de agua del ahumador. Aplique o rocíe una capa ligera de aceite vegetal a todas las superficies del interior del ahumador vertical, incluyendo las parrillas para cocinar. No le aplique ninguna capa a las bandejas para carbón.

Paso 2

Siga las instrucciones dadas a continuación al pie de la letra para encender y mantener el fuego. Puede usar carbón o una mezcla de carbón y leña como combustible para su ahumador vertical (consulte la sección "Cómo añadir carbón o leña durante el cocimiento" de este manual).

⚠ ADVERTENCIA: Nunca emplee carbón que ya contenga líquido encendedor. Use sólo carbón común y corriente de buena calidad o una mezcla de carbón y leña.

Si emplea un encendedor de chimenea para carbón, siga todas las advertencias e instrucciones del fabricante concernientes al uso de su producto. Necesitará quitar las parrillas inferiores para cocinar para que haya suficiente lugar para el encendedor de chimenea para carbón. Comience con 5 a 6 libras (2.5 a 3 kg) de carbón, suficiente para cocinar con él una vez terminado el curado. Cuando el carbón ya esté ardiendo bien, ponga unos trozos de carbón caliente en el centro de la bandeja para carbón y luego reemplace las parrillas para cocinar.

NOTA: Para prolongar la vida útil de su ahumador, cerciórese de que ni el carbón ni la leña caliente toquen las paredes del ahumador.

SI EMPLEA EL ENCENDEDOR DE CHIMENEA PARA CARBÓN, SIGA EN EL PASO 5

Si eligió emplear líquido para encender carbón, use SOLAMENTE líquido encendedor de carbón. Es decir, no use gasolina, queroseno, alcohol u otros materiales inflamables para encender el carbón. Siga todas las instrucciones y advertencias del fabricante concernientes al uso de su producto. Comience con 5 a 6 libras (2.5 a 3 kg) de carbón, suficiente para cocinar con él una vez terminado el curado. Ponga el carbón en el centro de la bandeja para carbón.

Cómo curar su ahumador

Paso 3

Sature el carbón con el líquido encendedor. Con la puerta de la caja del ahumador abierta, espere de 2 a 3 minutos para que el líquido encendedor de carbón lo penetre. Guarde el líquido encendedor de carbón a buena distancia del ahumador.

Paso 4

Con la puerta de la caja del ahumador abierta, aléjese y cuidadosamente encienda el carbón. Deje que arda hasta que lo cubra una ligera capa de ceniza (aproximadamente 20 minutos).



ADVERTENCIA: Debe dejar que el líquido encendedor de carbón se consuma por completo antes de cerrar la puerta de la caja del ahumador (aproximadamente 20 minutos). No hacerlo podría hacer que quedaran atrapados los gases del líquido encendedor de carbón en la caja del ahumador, los cuales podrían causar una explosión o un incendio repentino al abrir la puerta.

Paso 5

Con el carbón ardiendo bien, cierre la puerta de la caja del ahumador. Deje que el carbón arda ininterrumpidamente por 2 horas.

Paso 6

Suba la temperatura en el indicador de calor ajustando los amortiguadores de las ventilas de aire o añadiendo más carbón o una mezcla de carbón y leña (consulte la sección "Cómo añadir carbón o leña durante el cocimiento" de este manual). Mantenga el fuego por 1 hora y luego deje que la unidad se enfríe totalmente.

NOTA: Es importante no raspar ni tallar el exterior del ahumador durante el curado.

IMPORTANTE: Para proteger su ahumador de la oxidación excesiva, debe curar la unidad periódicamente y mantenerla cubierta en todo momento cuando no la use.

INSTRUCCIONES DE OPERACIÓN

! **COLOQUE EL AHUMADOR EN EL EXTERIOR, SOBRE UNA SUPERFICIE DURA, NIVELADA Y NO COMBUSTIBLE, LEJOS DEL VOLADIZO DE UN TECHO O DE CUALQUIER MATERIAL COMBUSTIBLE. NUNCA LO PONGA SOBRE SUPERFICIES DE MADERA O DE OTRO TIPO QUE PUDIESEN QUEMARSE. ALEJE EL AHUMADOR DE PUERTAS O VENTANAS ABIERTAS PARA QUE EL HUMO NO ENTRE A LA CASA. CUANDO HAGA VIENTO, COLOQUE EL AHUMADOR EN UN LUGAR EXTERNO PROTEGIDO DEL VIENTO.**

! **LEA DETENIDAMENTE TODAS LAS ADVERTENCIAS E INSTRUCCIONES DE SEGURIDAD ANTES DE UTILIZAR SU AHUMADOR.**

Paso 1

Saque el soporte de la bandeja de agua y la bandeja misma del ahumador. Siga detenidamente las instrucciones dadas a continuación para hacer el fuego. Puede utilizar carbón o una mezcla de carbón y leña como combustible para su ahumador vertical (consulte la sección "Cómo añadir carbón o leña durante el cocimiento" de este manual).

Cómo ahumar

! **ADVERTENCIA:** Nunca emplee carbón que ya contenga líquido encendedor. Use sólo carbón común y corriente de buena calidad o una mezcla de carbón y leña.

Si emplea un encendedor de chimenea para carbón, siga todas las advertencias e instrucciones del fabricante concernientes al uso de su producto. Necesitará quitar las parrillas inferiores para cocinar para que haya suficiente lugar para el encendedor de chimenea para carbón. Comience con 5 a 6 libras (2.5 a 3 kg) de carbón, suficiente para cocinar con él una vez terminado el curado. Cuando el carbón ya esté ardiendo bien, ponga unos trozos de carbón caliente en el centro de la bandeja para carbón y luego reemplace las parrillas para cocinar.

NOTA: Para prolongar la vida útil de su ahumador, cerciórese de que el carbón o la leña caliente no toquen las paredes del ahumador.

SI USA EL ENCENDEDOR DE CHIMENEA PARA CARBÓN, VAYA AL PASO 4

Si eligió emplear el líquido encendedor de carbón, use SÓLO uno que haya sido aprobado para encender carbón. No utilice gasolina, queroseno, alcohol u otros materiales inflamables para encender carbón. Siga todas las advertencias e instrucciones del fabricante concernientes al uso de su producto. Ponga 5 a 6 libras (2.5 a 3 kg) de carbón en la bandeja para carbón.

Paso 2

Sature el carbón con líquido encendedor. Con la puerta de la caja del ahumador abierta, espere de 2 a 3 minutos para que el líquido encendedor penetre el carbón. Almacene el líquido encendedor de carbón lejos del ahumador.

Paso 3

Con la puerta de la caja del ahumador abierta, aléjese y con cuidado encienda el carbón y deje que arda hasta que esté cubierto ligeramente por ceniza (aproximadamente 20 minutos). Debe dejar que el líquido encendedor de carbón se consuma totalmente antes de cerrar la puerta de la caja del ahumador.

! **ADVERTENCIA:** No hacerlo podría hacer que quedaran atrapados los gases del líquido para encender carbón en la caja del ahumador, los cuales podrían causar una explosión o un incendio repentino al abrir la puerta.

Paso 4

Con el carbón ardiendo bien, agregue cuidadosamente trozos de leña con pinzas largas para cocinar (consulte las secciones "Leña que imparte sabor" y "Cómo añadir carbón o leña durante el cocimiento" de este manual.)

NOTA: Según el estado del tiempo, una bandeja llena de carbón arderá por 5 a 6 horas.

Paso 5

Reemplace el soporte de la bandeja de agua y la bandeja misma.

ADVERTENCIA: Para evitar que se voltee o derrame el líquido caliente de la bandeja, nunca jale el soporte de la bandeja de agua más de 4" (10 cm). Vea la ilustración de la sección "Cómo añadir carbón o leña durante el cocimiento" de este manual.

Paso 6

Con cuidado, llene la bandeja de agua con agua caliente o adobo ácido hasta a 1" (2.54 cm) por debajo del borde. Una bandeja llena tiene capacidad para 4 cuartos (1 galón = 3.78 litros) de agua y durará de 2 a 3 horas. No llene demasiado, ya que el agua se saldrá de la bandeja.

Paso 7

Coloque una sola capa de comida entre las parrillas para cocinar, dejando un espacio entre cada pieza de comida. Así, el humo y el calor húmedo podrán circular uniformemente por todas las piezas. Cierre la puerta de la caja del ahumador.

Paso 8

Después de 2-3 horas de cocimiento, revise los niveles de agua y carbón siguiendo las instrucciones en las secciones "Cómo añadir agua durante el cocimiento" y "Cómo añadir carbón o leña durante el cocimiento" de este manual.

ADVERTENCIA: No permita que se evapore toda el agua de la bandeja. Siempre tenga agua en la bandeja mientras el carbón siga ardiendo. El agua se evaporará y la grasa en la bandeja de agua puede incendiarse.

Paso 9

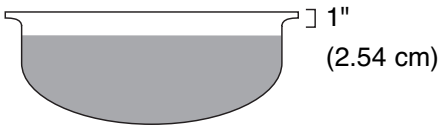
La temperatura ideal para ahumar es entre 175° F y 250° F. Para cortes grandes de carne, cocine alrededor de una hora por cada libra (454 g) de carne. **Siempre utilice un termómetro de carne para cerciorarse de que la comida se haya cocido totalmente antes de retirarla del ahumador.**

Paso 10

Deje que el ahumador se enfríe completamente y luego siga las instrucciones en las secciones "Seguridad después del uso" y "El debido cuidado y mantenimiento" de este manual.

Durante el ahumado, evite caer en la tentación de abrir la puerta de la caja del ahumador para revisar la comida, ya que si lo hace se escaparán el calor y humo, alargando así el tiempo de cocimiento. La comida más cercana al carbón se cocinará y dorará más rápido. Por ello, cambie la comida de lugar a la mitad del ciclo de cocimiento. Si la comida está demasiado dorada o tiene demasiado sabor ahumado, envuélvala con papel aluminio a las pocas horas de haberla ahumado. Esto permitirá que la comida se siga cocinando sin dorarse o ahumarse aún más.

PRECAUCIÓN: Póngase siempre guantes o guantes gruesos de cocina para proteger sus manos. El líquido en la bandeja de agua estará mucho muy caliente y usted puede escaldarse o quemarse. Siempre deje que el líquido se enfríe completamente antes de manipularlo. Fíjese que no todo el líquido se evapore de la bandeja de agua.



Consejos Sobre cómo Cocinar con Humo

Para obtener su sabor ahumado favorito, experimente con trozos, varitas o pedacitos de leña que imparten sabor como la del nogal americano, pacana, manzano, cerezo o mesquite. Puede utilizar la mayor parte de la leña de árboles frutales o de nueces para que imparta sabor ahumado. No use madera resinosa como la del pino porque impartirá un sabor desagradable.

Trozos o varas de leña con una longitud de 3" a 4" (7.5 a 10 cm) y un grosor de 1" a 2" (2.54 a 5 cm) son óptimos. A menos que la leña todavía esté verde, remójela en agua por 30 minutos o envuelva cada pieza en papel aluminio y abra varios agujeros en el papel para que produzca más humo y evitar que consuma demasiado rápido. No es necesaria tanta leña para obtener un buen sabor ahumado. Para el ahumador vertical, recomendamos de 5 a 6 pedazos o varitas de leña. Experimente empleando más leña para impartir un sabor ahumado más fuerte o menos leña para un sabor ahumado más ligero.

No es necesario añadir más leña para impartir sabor una vez comenzado el cocimiento. Sin embargo, quizá sí sea necesario si uno cocina trozos muy grandes de comida. Siga las instrucciones y precauciones en la sección "Cómo añadir carbón o leña durante el cocimiento" de este manual para que no se lesione mientras los añade.

Para mantener o subir la temperatura, abra totalmente los amortiguadores de las ventilas de aire a los lados de la caja del ahumador. Si la mayor circulación del aire no sube la temperatura lo suficiente, es posible que tenga que añadir más leña o carbón durante el ciclo de cocimiento. Siga las instrucciones en la sección "Cómo añadir carbón o leña durante el cocimiento" de este manual.

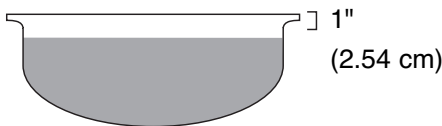
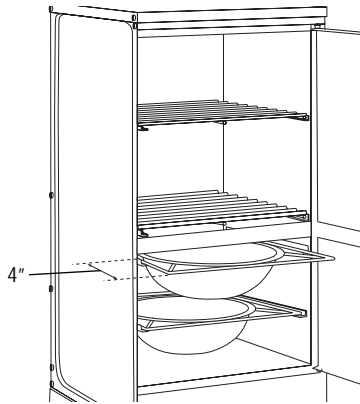
NOTA: Leña seca arde con más calor que el carbón, por lo que usted quizá desee aumentar la proporción de leña con respecto al carbón para subir la temperatura de cocimiento. La madera dura como la de encino, nogal americano y mesquite, así como la de árboles frutales y de nueces, son un combustible excelente por la rapidez en que se queman. Cuando emplee madera como combustible, fíjese que esté seca y haya sido curada. NO use madera resinosa como la de pino porque imparte un sabor desagradable.

Leña que Imparte Sabor



Cómo Regular el Calor

Cómo Añadir agua Durante el Cocimiento



Cómo Añadir Carbón o Leña Durante el Cocimiento

Revise la cantidad de agua en la bandeja si el cocimiento dura más de 2 horas. Poca agua en la bandeja puede detectarse escuchando el sonido de agua que chisporrotea. Usted puede añadirle agua a la bandeja a través de la puerta de la caja del ahumador. Tenga precaución y siga las instrucciones al pie de la letra.

- ⚠ ADVERTENCIA:** Tenga precaución ya que las llamas pueden crecer súbitamente cuando aire fresco hace contacto con el fuego. Al abrir la puerta, mantenga sus manos, cara y cuerpo a una distancia segura del vapor caliente y las llamas crecidas.

Paso 1

Aléjese y con cuidado abra la puerta de la caja del ahumador para que el calor y el vapor se escapen lejos de su cara. Tenga precaución ya que las llamas pueden crecer súbitamente cuando aire fresco hace contacto con el fuego. Revise la cantidad de agua que queda en la bandeja.

- ⚠ ADVERTENCIA:** Para evitar que se voltee o derrame el líquido caliente de la bandeja, nunca jale el soporte de la bandeja de agua más de 4" (10 cm). (Vea la ilustración)

Paso 2

Si hay poca agua, necesitará agregarle agua o adobo ácido a la bandeja de agua. Con sus guantes o guantes gruesos de cocina puestos, deslice y saque el soporte de la bandeja de agua a no más de 4" (10 cm).

Paso 3

Llene la bandeja de agua a 1" (2.54 cm) debajo del borde. Vierta el líquido lentamente para evitar que se derrame o sobrellene.

Paso 4

Con cuidado, deslice el soporte de la bandeja de agua hasta adentro, cierre la puerta de la caja del ahumador para que la comida se siga cocinando.

Es posible que necesite agregar más carbón y/o leña para mantener o incrementar la temperatura de cocimiento.

- ⚠ ADVERTENCIA:** Tenga precaución ya que las llamas pueden crecer súbitamente cuando aire fresco hace contacto con el fuego. Al abrir la puerta, mantenga sus manos, cara y cuerpo a una distancia segura del vapor caliente y las llamas crecidas.

Paso 1

Aléjese y con cuidado abra la puerta de la caja del ahumador para que el calor y el vapor se escapen lejos de su cara. Tenga precaución ya que las llamas pueden crecer súbitamente cuando aire fresco hace contacto con el fuego. Revise cuánto carbón queda en la bandeja.

Paso 2

Con sus guantes o guantes gruesos de cocina puestos, aléjese lo suficiente para que no corra peligro y utilice pinzas largas de cocina para quitar cuidadosamente la ceniza del carbón caliente. Utilice esas mismas pinzas para añadirle carbón y/o leña a la bandeja para el carbón, cuidándose de no moverlo demasiado por la ceniza y las chispas. En caso necesario, use su encendedor de chimenea para carbón para encender más carbón y/o leña y agregar al fuego existente.

- ⚠ ADVERTENCIA:** Nunca agregue líquido encendedor de carbón a carbón caliente o incluso poco caliente ya que puede ocurrir un retroceso de la llama y causar fuertes quemaduras.

Paso 3

Cierre la puerta de la caja del ahumador y deje que la comida se siga cocinando.

SEGURIDAD DESPUÉS DEL USO

ADVERTENCIA

- Siempre deje que su ahumador y todos sus componentes se enfrien completamente antes de manipularlos.
- Nunca deje el carbón y la ceniza sin atender en el ahumador. Asegúrese de que el carbón y su ceniza se hayan extinguido totalmente antes de sacarlos.
- Antes de dejar desatendido al ahumador, el carbón y la ceniza sobrantes deben ser sacados del ahumador. Tenga precaución y proteja su propiedad y a sí mismo. Ponga el carbón y la ceniza sobrantes en un recipiente metálico no combustible metal y llénelo con agua hasta el tope. Antes de tirar el carbón y la ceniza, déjelos por 24 horas en el recipiente metálico.
- El carbón y la ceniza ya extinguidos deben colocarse a buena distancia de toda estructura y material combustible.
- Con una manguera de jardín, moje completamente toda la superficie debajo y alrededor del ahumador para extinguir toda ceniza, carbón o carbón ardiente que pudiese haberse caído durante el cocimiento o la limpieza.
- Cubra y guarde su ahumador en un lugar alejado de niños y mascotas.

- Cure su ahumador periódicamente durante el año para protegerlo de la oxidación excesiva.
- Para proteger su ahumador de la oxidación excesiva, debe curar su unidad debidamente y cubrirla siempre que no la use.
- Lave las parrillas para cocinar y la bandeja de agua con agua caliente jabonosa, enjuague bien y seje secar. Aplique o rocíe una capa delgada de aceite vegetal a las parrillas.
- Limpie el interior y exterior del ahumador frotándolo con un paño húmedo. Aplique o rocíe un poco de aceite vegetal a la superficie interior para evitar la oxidación. No lo haga con la bandeja para el carbón.
- Si aparece un área oxidada (herrumbre) en la superficie externa de su ahumador, limpie y pula el área afectada con estopa de acero o un paño esmerilado con arenilla fina. Retoque con una pintura de buena calidad resistente a altas temperaturas.
- Nunca aplique pintura a la superficie interior. Las áreas oxidadas internas pueden pulirse, limpiarse y luego cubrirse o rociarse ligeramente con aceite vegetal para minimizar la oxidación.

Debido Cuidado y Mantenimiento